



Accessories & Components

A classic never goes out
of style





CONTENTS

6

**Valves & Reservoir bag
of Resuscitators**

11

**Heat and Moisture exchange filter
(HMEF) & Filter**

20

Manifold

23

Catheter Mount

32

Animal Mask

34

Connectors

52

Tubing

60

Product Index

65

Symbols and Cleaning Instructions



Accessories & Components

Non-Rebreathing Valves (NRV)	07
Intake Valves	07
Valves	08
Reservoir Valve & Bag	08
Diverter (for PEEP Valve & Filter)	09
Diverter Cap	09
Durable Adjustable PEEP Valves	10
Disposable Adjustable PEEP Valves	10
Heat and Moisture Exchanger (HME/ HMEF/ Filter/ THME)	14-19
3-Way/ 2-Way Manifold	21-22
Catheter Mount	24-29
Circuit Hanger & Fixture	30
Pole, Rail and Table Clamps	30
ISO Mount Resuscitator Hanger	31
ISO Wall Mount Cradle	31
Tube Clips	31
VM-2 Animal Mask	33
Elbow Connectors	35-37
Wye Connectors	38-40
Tee Connectors	41-43
Straight Connectors	44-46
ET Tube Connectors	47
Straight Tee with Port	48-50
Caps for Port	51
Durable Tubing	53-56
Disposable Tubing	57-58

Comprehensive Accessories and Components for Respiratory Therapy



Besides the products about breathing circuit, anesthesia circuit, oxygen therapy, emergency resuscitation, and lung training that you could get information from our other catalogs, accessories and components also play important roles in respiratory therapy.

Galemed provides comprehensive accessories for those products mentioned above, including a variety of catheter mounts, filters, connectors, and so on. Those provide safe, ergonomic, comfortable and practical solutions.



Valves & Reservoir bag of Resuscitators



Valves & Reservoir bag of Resuscitators

Non-Rebreathing Valves (NRV)



REF	Description	Material	QTY
AR0015	MR-100 NRV, Adult	PSF	50 pcs/box
AR0016	MR-100 NRV, 40 cmH ₂ O	PSF	50 pcs/box
AR0017	MR-100 NRV, 60 cmH ₂ O	PSF	50 pcs/box
AR0007	R7 NRV, Adult	PC	50 pcs/box
AR0065	R7 NRV, 60 cmH ₂ O	PC	50 pcs/box
AR0054	Dispobag NRV, 40cmH ₂ O	PC+PP	50 pcs/box

Intake Valves



REF	Description	QTY
AR0051	MR-100 Plus Intake Valve Kit	50 pcs/box
AV0086	MR-100 Plus Valve Kit, 5 pcs	50 pcs/box
AR0050	R7 Intake Valve Kit	50 pcs/box
AR0018	MR-100 Intake Valve Set (w/ valves)	50 pcs/box
AR0049	MR-100 Intake Valve Assy	50 pcs/box
AR0004	MR-100 Valve Kit, 5 pcs	50 pcs/box
AV0051	MR-100 Intake Valve Disc	50 pcs/box
AV0053	MR-100 Mushroom Valve for Intake	50 pcs/box

Valves



MR-100 Plus Valve Kit



MR-100 Valve Kit



MR-100 Duckbill Valve

REF	Description	QTY
AV0086	MR-100 Plus Valve Kit, 5 pcs	50 pkg/box
AR0004	MR-100 Valve Kit, 5 pcs	50 pkg/box
AR0013	MR-100 Duckbill Valve	50 pkg/box

Reservoir Valve & Bag



MR-100 Reservoir Valve



MR-100 Silicone Reservoir Bag



MR-100 PVC Reservoir Bag



Rescu-7 PVC Reservoir Bag

REF	Description	Material	QTY
AV0054	MR-100 Reservoir Valve	PSF	50 pcs/carton
AR0097	MR-100 Reservoir Bag, 2000 ml	PSF/Silicone	50 pcs/carton
AR0098	MR-100 Reservoir Bag, 1000 ml	PSF/Silicone	50 pcs/carton
AR0099	MR-100 Reservoir Bag, 500 ml	PSF/Silicone	50 pcs/carton
AR0019	MR-100 Reservoir Bag, 2500 ml	PSF/PVC	50 pcs/carton
AR0020	MR-100 Reservoir Bag, 600 ml	PSF/PVC	50 pcs/carton
AR0086	Rescu-7 Reservoir Bag, 2500 ml	PC/PVC	50 pcs/carton
AR0087	Rescu-7 Reservoir Bag, 600 ml	PC/PVC	50 pcs/carton

Diverter (for PEEP Valve & Filter)



- The Diverter fits on the NRV of the manual resuscitator.
- Suitable for attaching: PEEP Valve, HEPA, bacterial/viral filter, or another diverter to change the direction of exhaled air.
- Two models available: durable and disposable.

REF	Description	Type	QTY
AR0003	MR-100 Diverter, 30/26 mm	Durable	50 pcs/box
AR0005	MR-100 Diverter, 30/26 mm	Disposable	50 pcs/box

Diverter Cap



- Designed to increase oxygen concentration and to direct exhaled air away from operator.
- Connector Port: 30F.

REF	Description	Type	QTY
AV0049	Diverter Cap w/Valve, 30F	Disposable	50 pcs/box

Durable Adjustable PEEP Valves



- Designed to maintain a correct pressure in the patient's lungs at the end of the expiratory phase.
- Special spring mechanism engineered to compensate the tolerance under different flow rates to maintain high accuracy and consistency.
- Colour-coded designed enables to identify different pressure level easily.
- Made of PSF material and durable for repeated sterilization.

REF	Description	Connector size	Color	QTY
AV0016	Adj. PEEP Valve, 2-10cmH ₂ O	22F/15M	Orange	50 pcs/carton
AV0035	Adj. PEEP Valve, 2-10 cmH ₂ O	30F	Orange	50 pcs/carton
AV0003	Adj. PEEP Valve, 5-20 cmH ₂ O	30F, 22M, 22F/15M	Blue	50 pcs/carton
AV0017	Adj. PEEP Valve, 5-20cmH ₂ O	22F/15M	Blue	50 pcs/carton
AV0036	Adj. PEEP Valve, 5-20 cmH ₂ O	22M	Blue	50 pcs/carton
AV0037	Adj. PEEP Valve, 5-20 cmH ₂ O	30F	Blue	50 pcs/carton

Disposable Adjustable PEEP Valves



- Designed to maintain a correct pressure in the patient's lungs at the end of the expiratory phase.
- Special spring mechanism engineered to compensate the tolerance under different flow rates to maintain high accuracy and consistency.
- Colour-coded designed enables to identify different pressure level easily.
- PC housing and **non-magnetic stainless steel**.
- Free for MRI condition.

REF	Description	Connector size	Color	QTY
AV0019	Adj. PEEP Valve, 2-10 cmH ₂ O	30F	Orange	50 pcs/carton
AV0002	Adj. PEEP Valve, 5-20cmH ₂ O	22M/19F	Blue	50 pcs/carton
AV0018	Adj. PEEP Valve, 5-20cmH ₂ O	22M	Blue	50 pcs/carton
AV0004	Adj. PEEP Valve, 5-20 cmH ₂ O	30F	Blue	50 pcs/carton
AV0038	Adj. PEEP Valve, 5-20 cmH ₂ O	22F	Blue	50 pcs/carton
AV0092	Adj. Peep Valve, 5-20 cmH ₂ O (w/ Diverter)	30F	Blue	25 pcs/carton



Heat and Moisture exchange filter (HMEF) & Filter

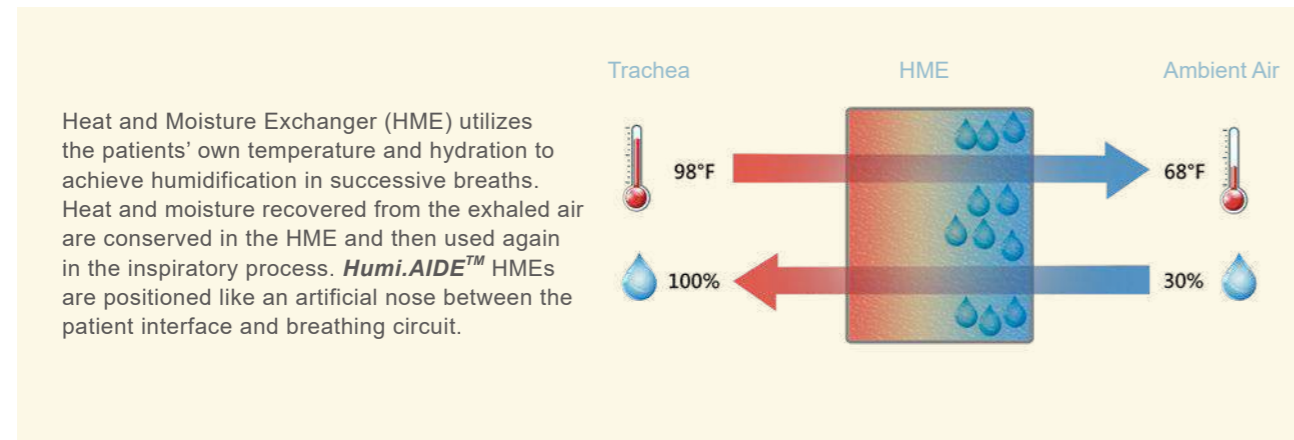


FILTER RANGES

BV Filter & HMEF

	REF	Filter Media	Port	Weight (g)	Dead Space (ml)	"Resistance (cmH ₂ O@LPM)"	Moisture output (mg/L)	BFE MPS: 2.9µm@30LPM	VFE MPS: 2.9µm@30LPM
Heated and moisture exchanger (HME)	AH0022	Paper media	-	2.5	33	0.2@5	31	-	-
	AH0039	Foam media	-	18	54.5	2.0@60	>30	-	-
	AH0040	Foam media	-	-	33	-	31	-	-
HMEF	AH0025	Paper Media	-	25	<50.1	1.53@30	>30	>99.99%	99.97%
	AH0026	Paper Media	Luer	25	<50.1	1.53@30	>30	>99.99%	99.97%
	AH0041	Electrostatic/ Foam	Luer	29	<35.00	2.30@60	31.6	>99.99%	>99.99%
Filter	AF0001	Electrostatic	-	22	<32.93	0.94@40	-	>99.99%	>99.99%
	AF0002	Paper Media	Luer	38	<34.80	4.37@60	-	>99.9999%	>99.9999%
	AF0003	-	-	-	<0.5	78@0.6	-	-	-
	AF0005	Electrostatic	Luer	17	<39.94	1.02@30	-	>99.99%	>99.99%
	AF0006	Electrostatic	Luer	-	-	-	-	-	-
	AF0007	Electrostatic	-	17	<37.68	0.86@30	-	>99.99%	>99.99%
	AF0008	Electrostatic	-	-	<48.5	0.71@30	-	>99.99%	>99.99%
	AF0009	Electrostatic	-	-	<32.8	0.66@30	-	>99.99%	>99.99%
	AF0011	Electrostatic	-	-	<99.37	0.77@40	-	>99.99%	>99.99%
	AF0012	-	-	-	<71	1.8@50	-	>99.99%	>99.99%
	AF0013	-	-	-	-	-	-	-	-
	AF0016	Electrostatic	-	-	<86.1	2.4@60	-	>99.99%	>99.99%
	AF0019	-	-	-	-	-	-	-	-
	AF0020	Electrostatic	Luer	23	<33.43	1.19@40	-	>99.99%	>99.99%

Heat and Moisture Exchanger (HME)



HME

Humi.AIDE™ HME is suitable for surgical ward, anesthesia, respiratory care, and intubated home-care patients.

- Use standard 22/15 mm connection.
- Moisture Output: around 31 mg/L H₂O.
- Dead Space: 33 ml.

AH0040 HME, 22F/15M, 22/15 mm
Package: 50 pcs/carton

HME with Flex Tube

Humi.AIDE™ HME with Tube is suitable for surgical ward, anesthesia, respiratory care, and intubated home-care patients.

- Extensive Flex Tube: Enable the flexibility in patient position management and Reduce the chance of accidental disconnection.
- Use standard 22F, 15F connections.
- Moisture Output: around 30~35 mg/L H₂O.
- Dead Space: 54.5 ml.

AH0039 HME w/Tube, 22F, 15F
Package: 100 pcs/carton

Neonatal (nHME)

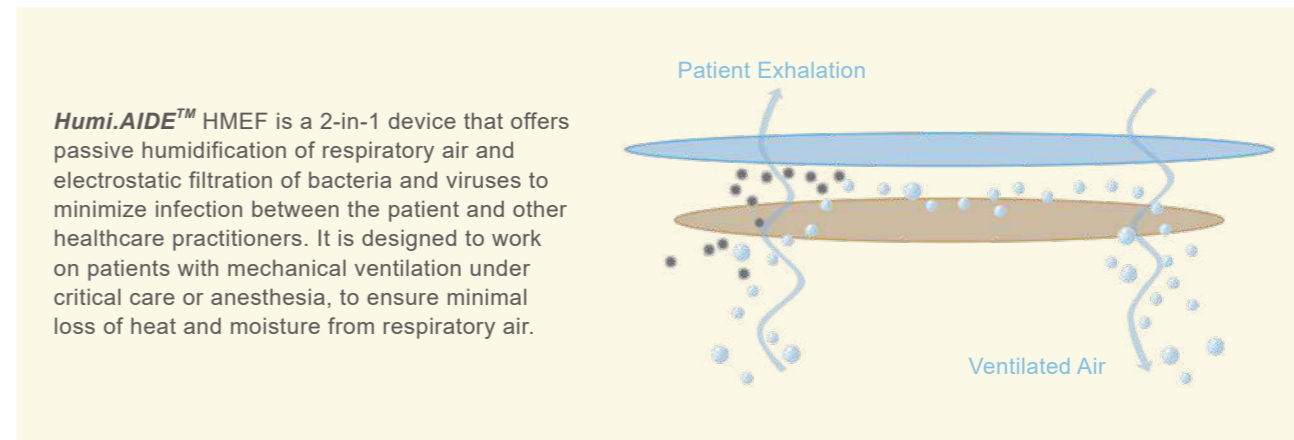
Humi.AIDE™ HME is suitable for surgical ward, anesthesia, respiratory care, and intubated home-care patients.

- Use standard 22/15 mm connection.
- Moisture Output: around 31 mg/L H₂O.
- Dead Space: 33 ml.

AH0022 nHME, 15F, 15M
Package: 100 pcs/carton



Heat and Moisture Exchanger Filter (HMEF)



Foam Type HMEF

Humi.AIDE™ HMEF w/Luer is suitable for surgical ward, anesthesia, respiratory care, and intubated home-care patients.

- Use standard 22/15 mm connection.
- Moisture output: around 31 mg/L H₂O.
- Dead Space: 33 ml.
- Filtration: Provide up to 99.99% of efficiency.
- Luer Port: For pressure monitoring and gas sampling.

AH0041 HMEF w/Luer, 22F/15M, 22/15 mm
Package: 50 pcs/carton

Humi.AIDE™ Paper Type HMEF (pHMEF)

Humi.AIDE™ Paper HMEF (pHMEF) is designed to be used in conjunction with ventilation circuits under critical care or anesthesia.

- Paper Media: ensure efficient retention of heat and moisture and filtration of bacteria and viruses.
- Uses standard 22/15 mm connections.
- Dead Space: 50.1 ml.
- Bacterial / viral filtration: Provide up to 99.99% /99.97% of efficiency respectively.
- Optional 4.3F Luer Port: For pressure monitoring and gas sampling.

AH0025 HMEF, 22F/15M, 22/15 mm
AH0026 HMEF w/Luer, 22F/15M, 22/15 mm

Package: 50 pcs/carton



Heat and Moisture Exchanger Filter (Filter)



Bacterial Filter (Foam filtering medium)

- Equipped with 0.3 micron bacterial filter membrane for up to 99.99% of efficiency.
- Standard 22 mmID/15 mmOD and 22/15 mm connectors meet ISO Standard.
- Material: polypropylene.

- AF0001** Filter, 22F/15M, 22M/15F
- AF0019** Filter, 22F/15M, 22M/15F
- AF0020** Filter, 22F/15M, 22M/15Fw/Luer

Package: 150 pcs/box



HEPA Radial Pleated Filter (Paper filtering medium)

- Long term anesthesia/ventilation bacterial filtration up to 99.9999% of efficiency.
- Standard 22 mmID/15 mmOD connectors meet ISO Standard.

- AF0002** Filter, HEPA w/luer, 22F/15M, 22/15 mm

Package: 150 pcs/box



Pressure Line Filter

- Hydrophobic filter to provide excellent water repellent efficiency to keep sensor out of water damage.
- Color code for help identify the direction.

- AF0003** Hydrophobic Filter, 7.6M w/Luer
- AF0013** Hydrophobic Filter, 4F, 4M

Package: 50 pcs/box

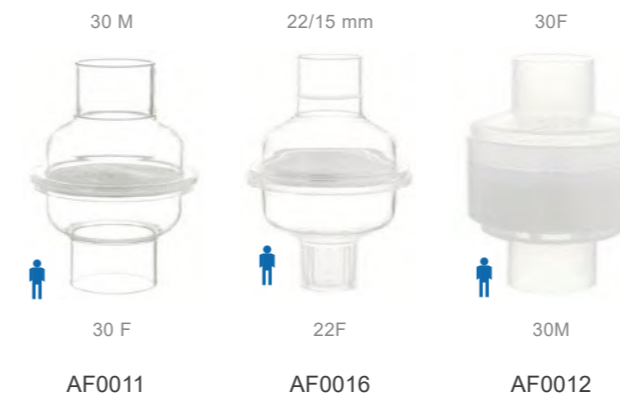
Heat and Moisture Exchanger Filter (Filter)



Viral / Bacterial Filter

High efficiency bacterial filter to minimize cross-contamination between patients, equipment and other healthcare practitioners.

REF	Description	Resistance to flow at 30L/min (cmH ₂ O)	Compressible Volume (ml)	Bacterial Filtration Efficiency	Viral Filtration Efficiency	Luer	QTY
AF0005	Filter 22F/15M w/Luer	0.950	39.93	99.999%	99.99%	●	50 pcs/carton
AF0007	Filter, 22F/15M, 22/15 mm	0.825	37.68	99.999%	99.99%	N/A	50 pcs/carton
AF0008	Filter, 30F, 22/15 mm	0.625	48.58	99.999%	99.99%	N/A	50 pcs/carton
AF0009	Filter, 30F, 30M	0.535	46.29	99.999%	99.99%	N/A	50 pcs/carton



Electrostatic Bacterial Filter

Filter with large volume can produce lower resistance and increase the coordination between the ventilator and the patient. It is suitable to be connected to the outlet of positive pressure ventilation equipment to prevent the transmission of bacteria and cross-contamination among patients.

- Bacterial Filtration Efficiency : 99.99%.
- Viral Filtration Efficiency : 99.99%.

REF	Description	Resistance (cmH ₂ O@LPM)	Compressible Volume (ml)	Bacterial Filtration Efficiency	Viral Filtration Efficiency	Luer	QTY
AF0011	Filter, 30F, 30M	0.77@40	<99.37	99.99%	99.99%	N/A	150 pcs/carton
AF0012	Exhalometer filter, 30F, 30M	1.8@50	<71	99.99%	99.99%	N/A	50 pcs/carton
AF0016	Filter, 22F, 22/15 mm	2.4@60	<86.1	99.99%	99.99%	N/A	150 pcs/carton

Tracheal Heat and Moisture Exchanger (tHME)

The *Humi.AIDE™* Tracheal Heat and Moisture Exchanger (tHME) provides passive humidification for spontaneously breathing tracheostomy patients. The tHME is designed with a standard 15mm fitting for attachment to the patient's tracheotomy tube. The tHME has a compact and lightweight design that reduces pressure at the sensitive trachea site and helps provide optimum patient ventilation.



Light Paper Media

Original paper media provides efficient heat and moisture exchange to patient.



Optional Adjustable Breathing Resistance (ABR) Valve

An optional Adjustable Breathing Resistance (ABR) Valve helps to reduce patient work of breathing and provides users greater comfort and flexibility.



Optional Oxygen Tubing

Designed with oxygen tubing connection for supplemental oxygen.



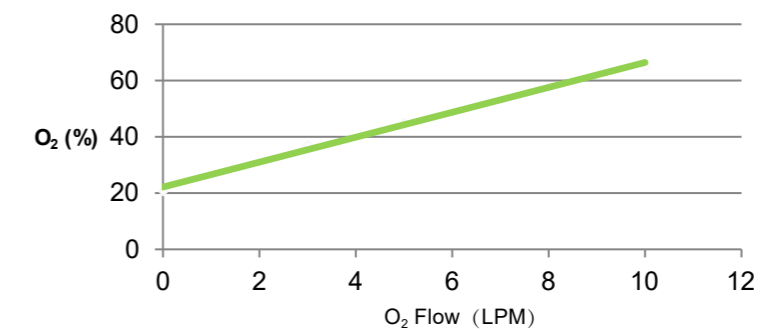
Tracheal Heat and Moisture Exchanger (tHME)

	Standard	Oxygen Tube	ABR Valve
--	----------	-------------	-----------



REF	AH0023	AH0071	AH0024
Description	tHME, 15F	tHME w/Tubing	tHME, 15F w/Knob
Feature	Standard HME, ready for use design	Equipped with total length of 170 cm oxygen tubing	Designed Adjustable Breathing Resistance (ABR) Valve
Dead Space	11.7 ml	12.0 ml	11.7 ml
Tidal Volume	> 50 ml	> 50 ml	> 50 ml
Connectors	15F	15F	15F
Resistance	0.48 cmH ₂ O @ 60 LPM	0.48 cmH ₂ O @ 60 LPM	0.48 cmH ₂ O @ 60 LPM
Moisture Output	24.0 mg H ₂ O @ VT = 500 ml	24.0 mg H ₂ O @ VT = 500 ml	24.0 mg H ₂ O @ VT = 500 ml
QTY	50 pcs/carton	50 pcs/carton	50 pcs/carton

Inspired Oxygen Concentration vs Flow Rate



TEST Conditions: Tidal volume 0.6L, 12 breath/min

3-Way Manifold

The 3-Way Manifold is attached to the single limb breathing circuit to regulate the expiratory valve. The control line from the ventilator controls the opening of the valve to enable air to flow in and out accordingly. This line intermittently provides the pressure needed to close the expiratory valve during inspiration, which blocks gas outflow during the application of inspiratory positive pressure. This is done to ensure the patient receives optimal gas exchange conditions.

Durable 3-Way Manifold 134



- The durable 3-Way Manifold with Exhale Port also provides a standard 22 mm port for the monitoring or collection of expired gases through a scavenging bag.
- Pressure & Flow Rate: < 1.63 cmH₂O @ 60 LPM.

AV0022 Manifold, 3 Way, PSF

Package: 50 pcs/carton

Disposable 3-Way Manifold X

- The disposable 3-Way Manifold comes with a hanger that can be attached to a hanger arm to help position or keep the breathing circuit in place.
- Pressure & Flow Rate: < 1.63 cmH₂O @ 60 LPM.



3-Way Manifold w/Swivel Exhale Cap

REF	Description	Port	QTY
AV0021	CV-3 Manifold	-	100 pcs/carton
AV0001	CV-3 Manifold w/6B	6M	100 pcs/carton



3-Way Manifold w/22M Exhale Port

REF	Description	Port	QTY
AB0020	CV-3 Manifold, L22M	-	100 pcs/carton
AV0058	CV-3 Manifold w/L22M, 7.6F	7.6F	100 pcs/carton



3-Way Manifold w/30M Exhale Port

REF	Description	Port	QTY
AV0023	CV-3 Manifold, 30M	-	100 pcs/carton
AB0232	CV-3 Manifold w/30M, 7.6F	7.6F	100 pcs/carton



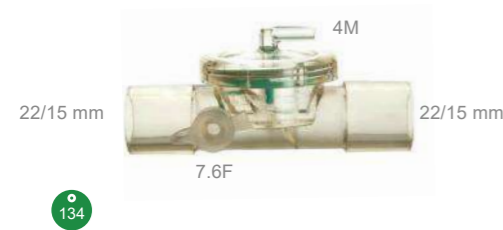
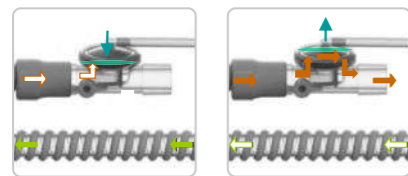
Manifold



2-Way Manifold

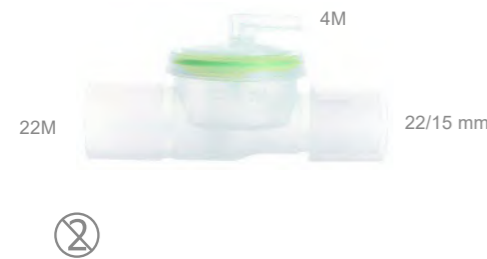
The 2-Way Manifold is used to regulate the flow for the expiratory of the dual limb breathing circuits. The control line from the ventilator controls the opening of the valve to enable air to flow out accordingly.

- Pressure & Flow Rate: < 4.52 cmH₂O @ 60 LPM (AV0078).
- 7.6F standard connector.
- Meets ISO 5356-1 standard.
- Meets ISO 10993-1 compatibility.



Durable 2-Way Manifold

REF	Description	Port	QTY
AV0078	Durable 2 Way Manifold	-	60 pcs/carton
AV0079	Durable 2 Way Manifold w/7.6F Port	7.6F	60 pcs/carton



Disposable 2-Way Manifold

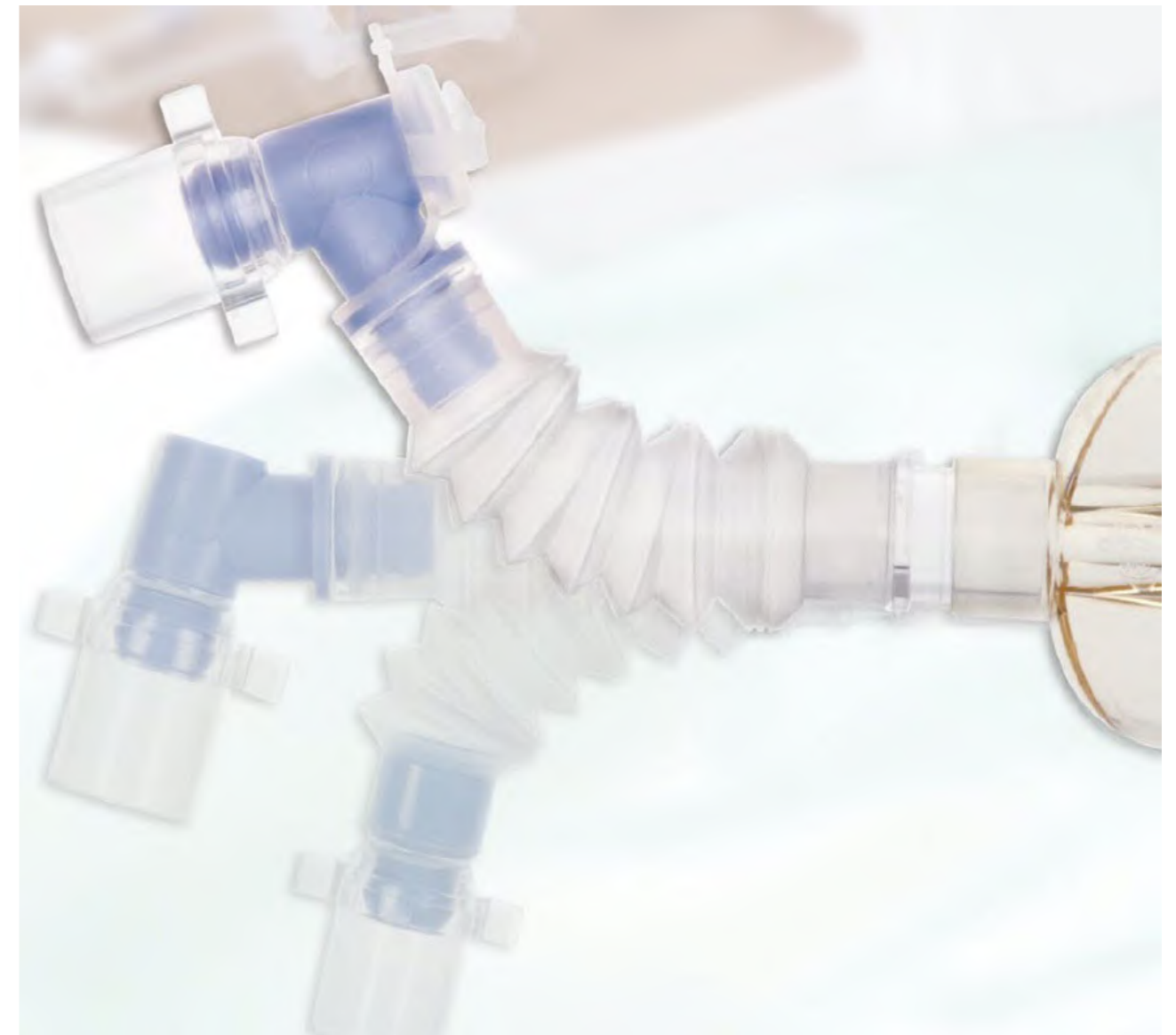
REF	Description	Port	QTY
AB0125	Dispo. 2 Way Manifold w/Elbow Drive Port	L type	60 pcs/carton
AV0056	Dispo. 2 Way Manifold w/Straight Drive Port	Straight Type	60 pcs/carton



2-Way Manifold with Water Trap

- CS Water Trap Volume: 55 ml.
- Pressure & Flow Rate: < 3.02 cm H₂O @ 60 LPM (AV0010).
- Meets ISO 5356-1 standard.
- Meets ISO 10993-1 compatibility.

REF	Description	QTY
AV0010	Dispo. 2 Way Manifold w/CS Water Trap	25 pcs/carton
AB0217	Dispo. Suction Tube 3M, w/Angle Port	25 pcs/carton



Catheter Mount



Catheter Mount

A Catheter Mount provides extensions and airway connectors to make it easier for patient positioning, reducing unexpected ventilator disconnection and freeing caregivers from continuous monitoring.

A catheter mount is made of three major parts, (1) patient connector (elbow or straight connectors), (2) extension tubing and (3) circuit connectors.

We offer a wide range of catheter mounts which are available with either Durable or Disposable tubing with a variety of elbows and connectors.



Patient Connector
(with Double Flip-Top Cap)

Patient connector functions as a key bridge between patients and the circuit. We offer three types of patient connectors.

- Swivel Elbow: We offer single-swivel (durable) and double swivel elbow (durable and disposable). Optional suction port and double flip-top cap, maintain PEEP during suction or bronchoscopy.
- Fixed Elbow: Provides firm connection. The optional Luer port allows pressure or gas monitoring.
- Straight connection: Design for special position use. Available with fixed and swivel type.



Tubing

Three types of tubing for your choice:

- Durable smooth bore silicone tubing: Made of durable silicone material. Smooth bore design minimizes tube resistance and water accumulation.
- Collapsible EVA tubing: Provide tube length adjustment to fulfill patient comfort.
- EVA Flex tube: Feature with light weight corrugate tube. Reduce the chance of obstruction caused by tube kinking.



Circuit Connector

Three connector sizes of catheter mount are offered:

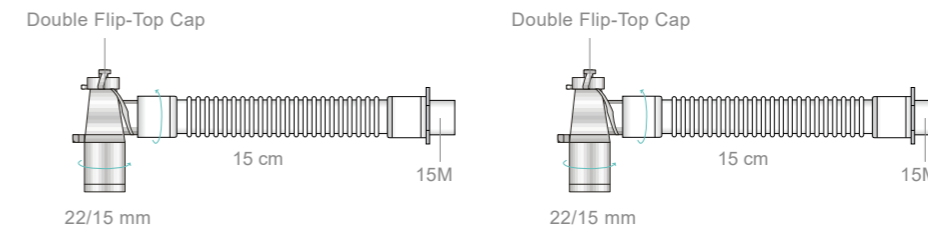
- Connection available with 15M, 22/15 mm and 22F.

Catheter Mount

- Flexible and soft silicone tubing.
- 360° swivel connector designed for more flexibility.
- 15M port with cap for suction or insertion of other functional tubes.



Durable Silicone Smooth Bore Catheter Mount (Double Swivel Elbow & Double Flip-Top Cap)



REF	Description	Circuit Connection	QTY
AB0147	Silicone Catheter Mount, 15M, PSF	15M	25 pcs/box
AB0145	Sil.Flex Catheter Mount, 15F, 15M, PC	15M	25 pcs/box
AB0144	Sil.Flex Catheter Mount, 22/15 mm, 15M	22/15 mm	25 pcs/box
AB0143	Sil.Flex Catheter Mount, 22/15 mm, 22F	22F	25 pcs/box



REF	Description	Circuit Connection	QTY
AT0066	Silicone Catheter mount, 14 cm	15M	150 pcs/carton



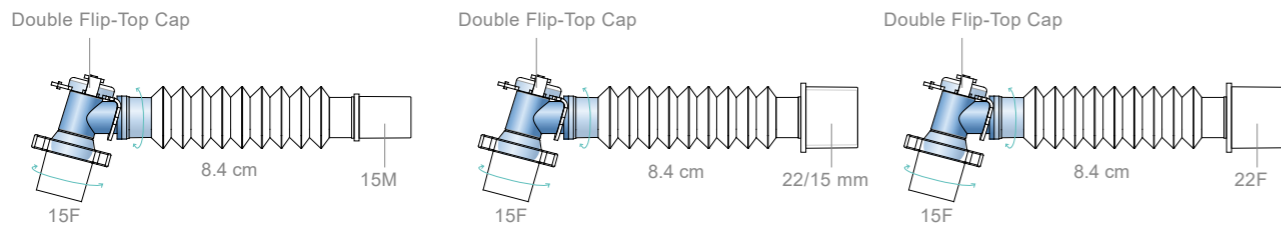
- AB0133 Silicone Flex Tube, 14 cm, 10F, 10F
- AB0134 Silicone Flex Tube, 14 cm, 15F, 15F
- AB0135 Silicone Flex Tube, 13 cm, 22F, 15F
- AB0136 Silicone Flex Tube, 14 cm, 22F, 10F

Package: 200 pcs/box

Catheter Mount

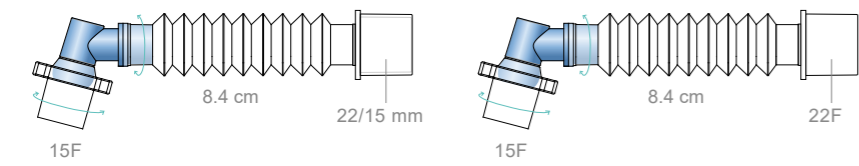
LDS Catheter Mount is designed with a 8.4 cm collapsible EVA tubing. Minimized dead space to provide high-quality patient comfort.

LDS Disposable Collapsible Catheter Mount (Double Swivel Elbow & Double Flip-Top Cap)



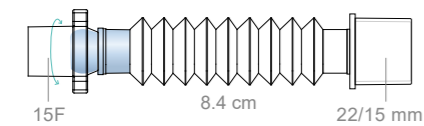
REF	Description	Circuit Connection	QTY
AB0049	LDS1 Catheter Mount, SL15F, 15M	15M	50 pcs/box
AB0050	LDS1 Catheter Mount, SL15F, 22/15 mm	22/15 mm	50 pcs/box
AB0032	LDS1 Catheter Mount, SL15F, 22F	22F	50 pcs/box

LDS Disposable Collapsible Catheter Mount (Double Swivel Elbow)



REF	Description	Circuit Connection	QTY
AB0047	LDS2 Catheter Mount, L15F, 22/15	22/15 mm	50 pcs/box
AB0048	LDS2 Catheter Mount, L15F, 22F	22 F	50 pcs/box

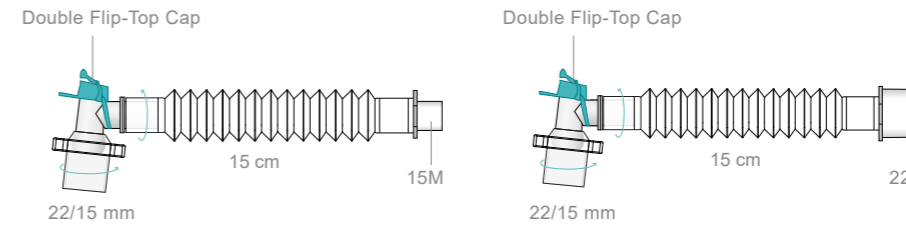
LDS Disposable Collapsible Catheter Mount (Swivel Straight Connection)



REF	Description	Circuit Connection	QTY
AB0045	LDS3 Catheter Mount, 15F, 22/15	22/15 mm	50 pcs/box

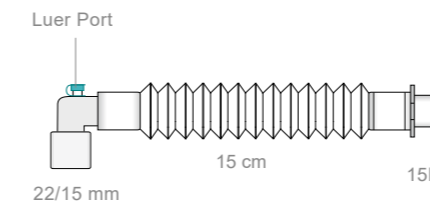
Catheter Mount

Disposable Collapsible Catheter Mount (Double Swivel Elbow & Double Flip-Top Cap)



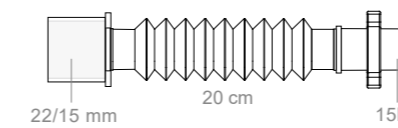
REF	Description	Circuit Connection	QTY
AB0258	Catheter mount, 15 cm, 15M	15M	100 pcs/carton
AB0193	EVA Catheter Mount, 15 cm, 22F	22F	100 pcs/carton

Disposable Collapsible Catheter Mount (Fixed Elbow With Luer Port)



REF	Description	Circuit Connection	QTY
AB0318	EVA Catheter mount, 15 cm, L22/15 mm, 15M	15M	100 pcs/carton

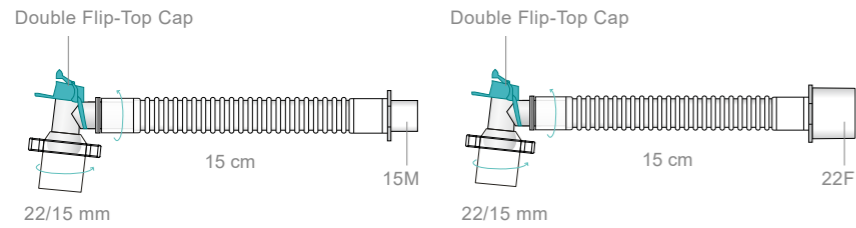
Disposable Collapsible Catheter Mount (Fixed Straight Connection)



REF	Description	Circuit Connection	QTY
AB0256	Catheter Mount, 20 cm, 22/15 mm, 15M	15M	150 pcs/carton

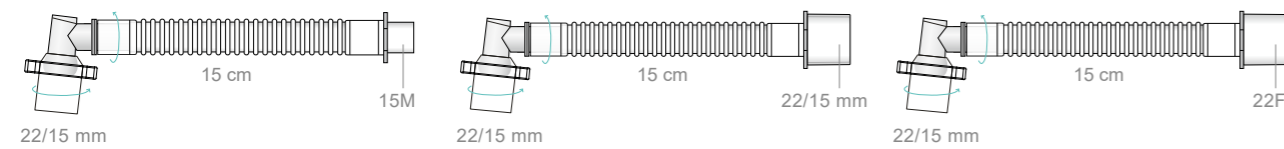
Catheter Mount

Disposable Flex-tube Catheter Mount (Double Swivel Elbow & Double Flip-Top Cap)



REF	Description	Circuit Connection	QTY
AB0194	EVA Catheter mount, 15 cm ,22/15 mm, 15M	15M	150 pcs/carton
AB0197	EVA Catheter Mount, 15 cm, 22F	22F	150 pcs/carton

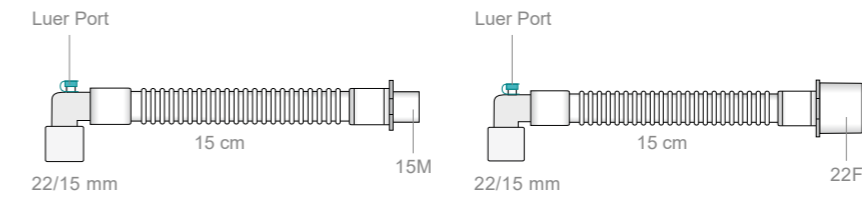
Disposable Flex-tube Catheter Mount (Double Swivel Elbow)



REF	Description	Circuit Connection	QTY
AB0148	Catheter mount, 15 cm, 15M	15M	50 pcs/carton
AB0149	EVA Catheter Mount, 15 cm, 22/15 mm	22/15 mm	50 pcs/carton
AB0192	Catheter mount, 15 cm, 22F	22F	50 pcs/carton

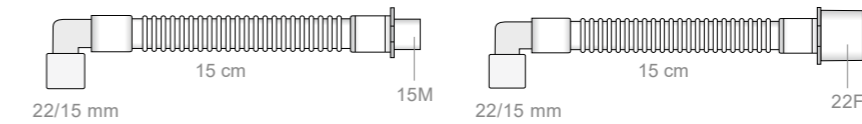
Catheter Mount

Disposable Flex-tube Catheter Mount (Fixed Elbow With Luer Port)



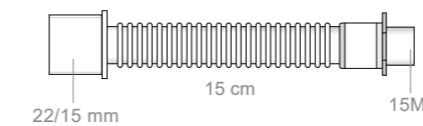
REF	Description	Circuit Connection	QTY
AB0200	EVA Catheter mount, 15 cm w/Luer, 15M	15M	50 pcs/carton
AB0202	EVA Catheter mount, 15 cm w/Luer, 22F	22F	50 pcs/carton

Disposable Flex-tube Catheter Mount (Fixed Elbow)



REF	Description	Circuit Connection	QTY
AB0199	EVA Catheter mount, 15 cm, 15M	15M	150 pcs/carton
AB0130	Catheter mount, 15 cm, L22/15 mm, 22F	22F	150 pcs/carton

Disposable Flex-tube Catheter Mount (Fixed Straight Connection)



REF	Description	Circuit Connection	QTY
AB0198	EVA Catheter mount, 15 cm, 15M	15M	250 pcs/carton

Circuit Hanger & Fixture



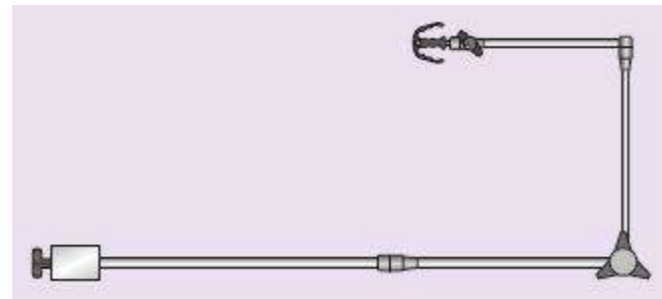
Circuit Hanger

- Orientation of arm can be freely adjusted to the desirable position.
- Standard ISO slip and mount fits into the holder conforming to ISO-19054 standard.
- Multiple joints for adjusting the angle of the arm. Foldable design reduces storage space.
- Three-in-one tube holder accommodates most tubing conforming to international standard.

AB0152 Circuit Hanger, Stainless Steel, Clamp Type

AB0011 Circuit Hanger, Stainless Steel, Pole Type

Package: 6 pcs/box



Pole, Rail and Table Clamps



- Keep essential life-supporting device readily available and organized.
- Ergonomically engineered tri-edge turning knob for less required force to turn.
- Ultra lightweight and sturdy design with one or two holder slip for different device.
- Multi-point contact for better stabilization and grip.
- ISO compliant holder fits any device complying to the same standard.

AB0222 ERGO™ Single Pole Clamp

AB0223 ERGO™ Dual Pole Clamp

AB0224 ERGO™ Table Clamp

AB0225 ERGO™ Rail Clamp

Package: 10 sets/case



ISO Mount Resuscitator Hanger



- Keeps manual resuscitator organized in a hospital or emergency setting and makes it readily accessible.
- ISO compliant holder slip fits on any pole or rail clamp with ISO standard holder.

AB0004 ISO Mount Resuscitator Hanger

Package: 50 pcs/carton

ISO Wall Mount Cradle



- Keeps essential life-supporting device readily available and organized.
- ISO compliant holder fits any device.

AB0226 ISO Wall Mount Cradle

Package: 60 boxes/carton

Tube Clips

Clips to hold breathing circuit and additional tubing in place for better organization and safety.

AB0008 TC-1 Tube Clip 15 mm

AB0009 TC-2 Tube Clip 22 mm

AB0029 TC-4 Tube Clip 22 mm

AB0030 TC-5 Tube Clip 22M

Package: 100 pcs/package, 20 pkgs/box





Animal Mask



VM-2 Animal Mask



- GaleMed VM-2 Animal Mask is designed for small animals for anesthesia, resuscitation, oxygen therapy and aerosol therapy.
- Transparent and high-impact polycarbonate for shell; Silicone rubber for cushion and harness.
- Standard 15M or 22F connection for ventilation equipment.
- VM-2 Animal Mask Set includes mask #0-5, harness and transparent case for storage.

AM0008	VM-2 Animal Mask #0, 15M
AM0009	VM-2 Animal Mask #1, 15M
AM0010	VM-2 Animal Mask #2, 22F
AM0011	VM-2 Animal Mask #3, 22F
AM0012	VM-2 Animal Mask #4, 22M
AM0013	VM-2 Animal Mask #5, 22M
AM0104	VM-2 Animal Mask set

Package: 1 pc/package. 50 pcs/box

Animal mask cushion



AM0136	Animal mask cushion, #0
AM0137	Animal mask cushion, #1
AM0138	Animal mask cushion, #2
AM0139	Animal mask cushion, #3
AM0140	Animal mask cushion, #4
AM0141	Animal mask cushion, #5

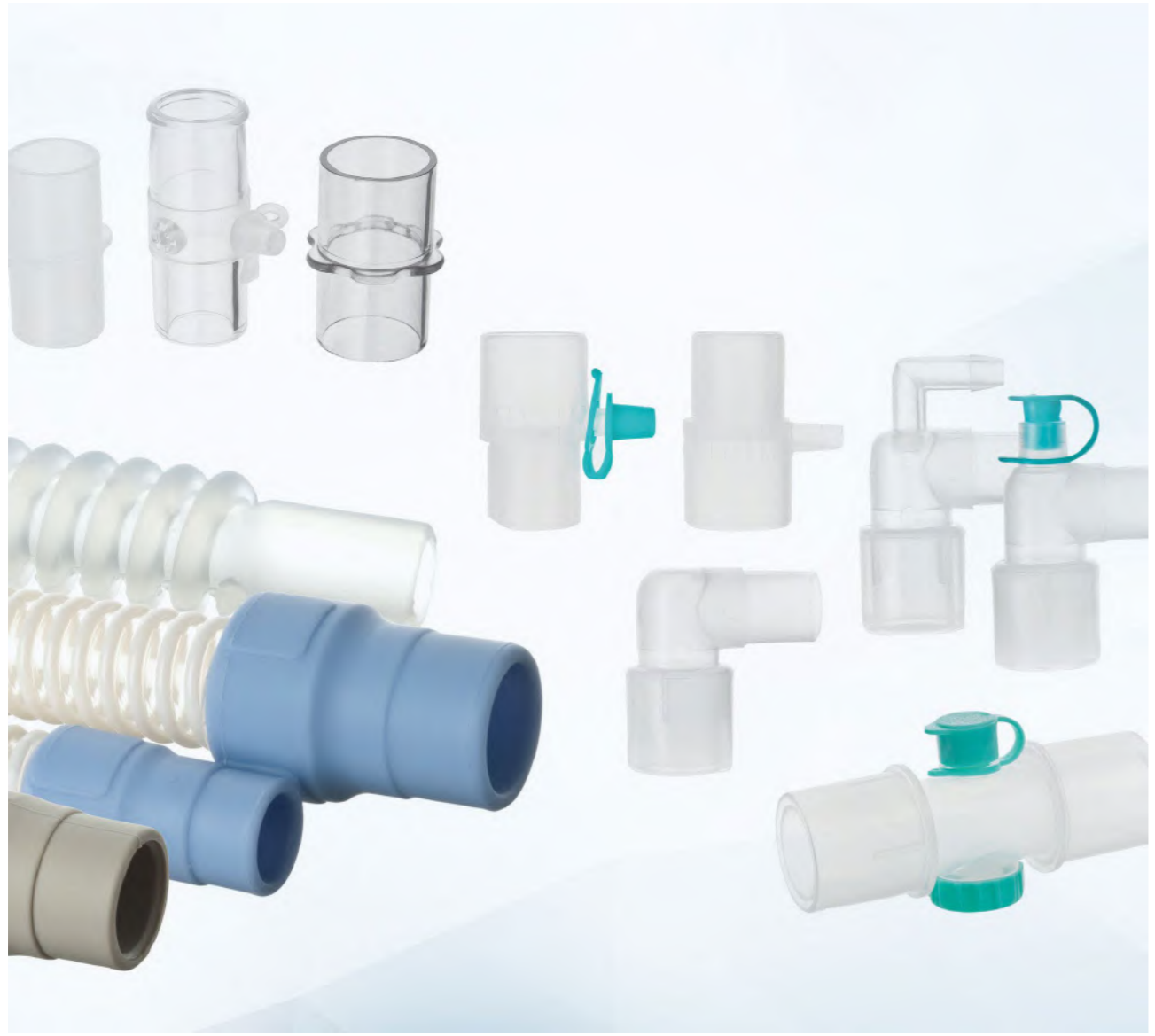
Package: 1 pc/package. 50 pcs/box

Animal mask connector



AM0142	Animal mask connector, 22F
---------------	----------------------------

Package: 1 pc/package. 25 pcs/box

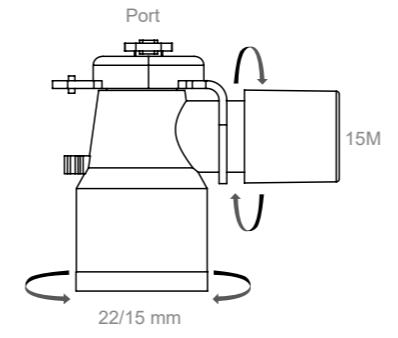


Connectors



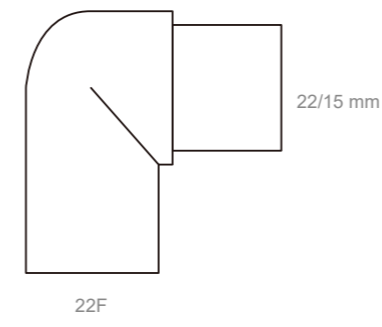
Do not reuse PE/PP/PS/K-Resin/PMMA
 Autoclavable up to 121°C PC
 Autoclavable up to 134°C PSF

Elbow Connectors



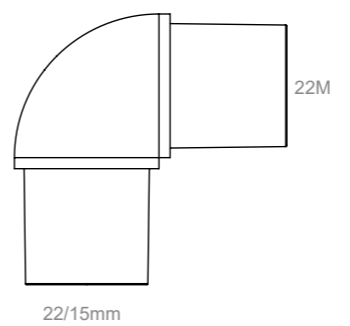
Durable

REF	Patient	Tubing	Port	Material
AC0114	22/15 mm	15M	Suction	PC
AC0115	22/15 mm	15M	Suction	PC
AC0116	22/15 mm	15M	Suction	PC
AC0117	22/15 mm	15M	Suction	PSF



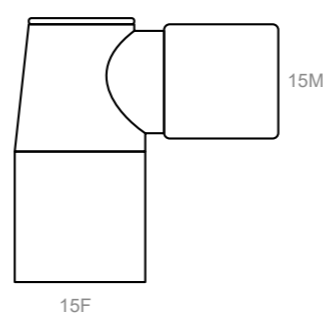
Durable

REF	Patient	Tubing	Port	Material
AC0021	22F	22/15 mm	-	PSF
AC0092	22F	22/15 mm	-	PSF
AC0025	22F	22/15 mm	-	PC



Durable

REF	Patient	Tubing	Port	Material
AC0109	22/15 mm	22M	-	PSF
AC0026	22/15 mm	22M	-	PC



Durable

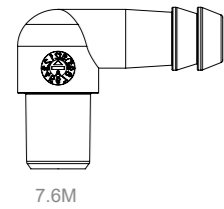
REF	Patient	Tubing	Port	Material
AC0089	15F	15M	-	PSF

Elbow Connectors

Do not reuse
PE/PP/PS/K-Resin/PMMA

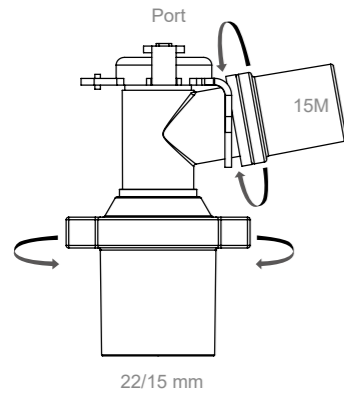
Autoclavable up to 121°C
PC

Autoclavable up to 134°C
PSF



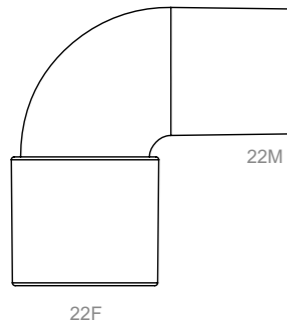
Durable

REF	Patient	Tubing	Port	Material
AC0090	7.6M	6B	-	PSF
AC0091	7.6M	4.3M/L4B	-	PSF
AC0093	7.6M	4.3F	-	PC



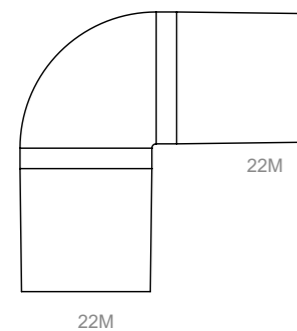
Disposable

REF	Patient	Tubing	Port	Material
AC0110	22/15 mm	15M	Suction	K-Resin
AC0022	22/15 mm	15M	-	K-Resin



Disposable

REF	Patient	Tubing	Port	Material
AC0016	22F	22M	-	PP



Disposable

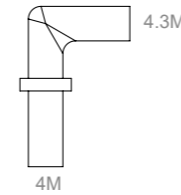
REF	Patient	Tubing	Port	Material
AC0088	22M	22M	-	PP

Elbow Connectors

Do not reuse
PE/PP/PS/K-Resin/PMMA

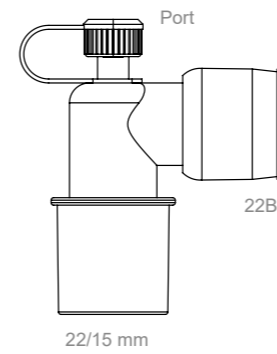
Autoclavable up to 121°C
PC

Autoclavable up to 134°C
PSF



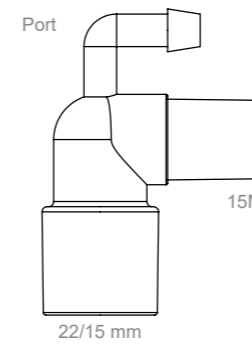
Disposable

REF	Patient	Tubing	Port	Material
AC0113	4M	4.3M	-	K-Resin



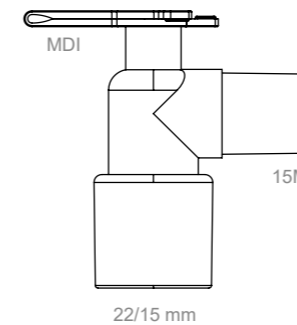
Disposable

REF	Patient	Tubing	Port	Material
AC0118	22/15 mm	22B	Luer	PP



Disposable

REF	Patient	Tubing	Port	Material
AC0023	22/15 mm	15M	-	PP
AC0024	22/15 mm	15M	L 6M	PP
AC0107	22/15 mm	15M	Luer	PP
AC0112	22/15 mm	15M	7.6F	PP
AC0219	22/15 mm	15M	Luer	PP



Disposable

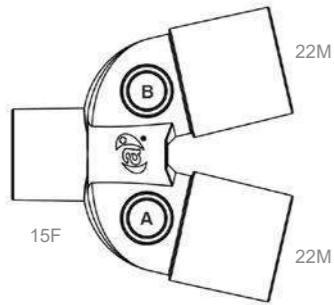
REF	Patient	Tubing	Port	Material
AD0033	22/15 mm	15M	MDI	PP

Wye Connectors

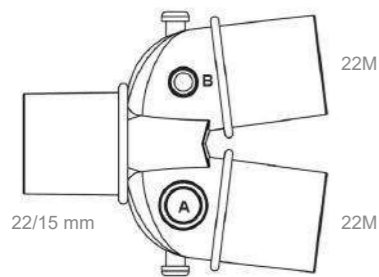
Do not reuse
PE/PP/PS/K-Resin/PMMA

Autoclavable up to 121°C
121 PC

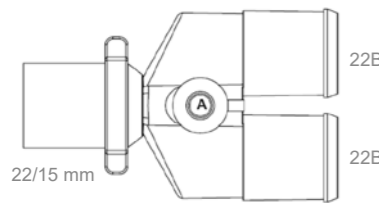
Autoclavable up to 134°C
134 PSF



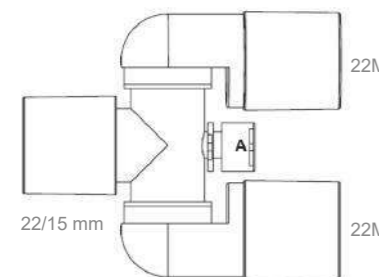
REF	Patient	Circuit	Port A	Port B	Material
AC0101	15F	22M	-	-	PSF



REF	Patient	Circuit	Port A	Port B	Material
AC0027	22/15 mm	22M	-	-	PSF
AC0119	22/15 mm	22M	-	6F	PSF
AC0120	22/15 mm	22M	7.6F	6F	PSF
AC0081	22/15 mm	22M	7.6F	4.3F	PC
AC0124	22/15 mm	22M	-	-	PC
AC0125	22/15 mm	22M	-	6F	PC
AC0126	22/15 mm	22M	7.6F	6F	PC
AC0228	22/15 mm	22M	7.6F	-	PC



REF	Patient	Circuit	Port A	Port B	Material
AC0087	22/15 mm	22B	L 4B	-	PP
AC0086	22/15 mm	22B	7.6F	-	PP



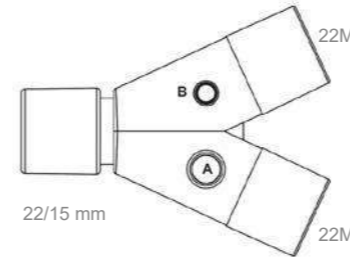
REF	Patient	Circuit	Port A	Port B	Material
AC0029	22/15 mm	22M	-	-	PP
AC0121	22/15 mm	22M	Luer	-	PP

Wye Connectors

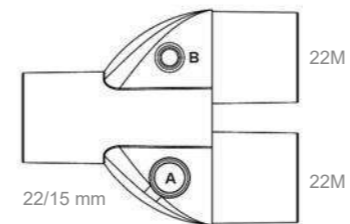
Do not reuse
PE/PP/PS/K-Resin/PMMA

Autoclavable up to 121°C
121 PC

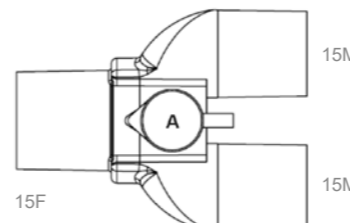
Autoclavable up to 134°C
134 PSF



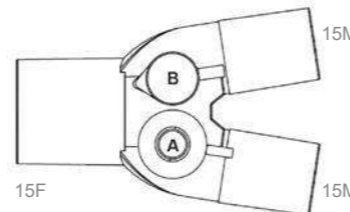
REF	Patient	Circuit	Port A	Port B	Material
AC0002	22/15 mm	22M	-	-	PP
AC0235	22/15 mm	22M	-	6F	PP



REF	Patient	Circuit	Port A	Port B	Material
AC0028	22/15 mm	22M	-	-	PP
AC0129	22/15 mm	22M	7.6F	6M	PP
AC0220	22/15 mm	22M	7.6F	6M	PP
AC0230	22/15 mm	22M	7.6F	-	PP



REF	Patient	Circuit	Port A	Port B	Material
AC0102	15F	15M	7.6F	-	PSF
AC0017	15F	15M	-	-	K-resin



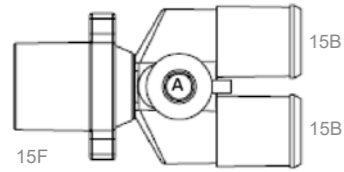
REF	Patient	Circuit	Port A	Port B	Material
AC0011	15F	15M	7.6F	6M/4.3F	PC
AC0035	15F	15M	-	6M/4.3F	PC
AC0036	15F	15M	7.6F	L6MB	PC
AC0123	15F	15M	-	-	PC
AC0222	15F	15M	7.6F	-	PC
AC0038	15F	15M	-	-	PSF
AC0127	15F	15M	-	6M/4.3F	PSF

Wye Connectors

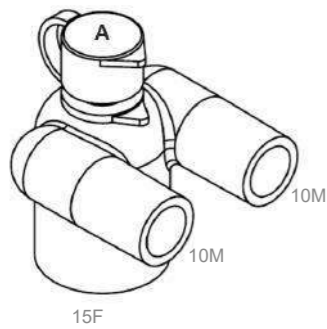
Do not reuse
PE/PP/PS/K-Resin/PMMA

Autoclavable up to 121°C
121 PC

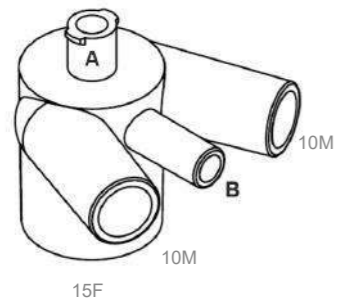
Autoclavable up to 134°C
134 PSF



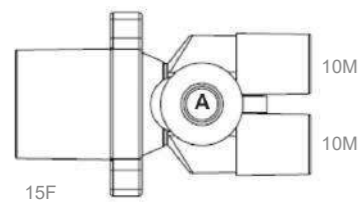
REF	Patient	Circuit	Port A	Port B	Material
AC0015	15F	15B	7.6F	-	PP



REF	Patient	Circuit	Port A	Port B	Material
AC0103	15F	10M	-	-	PSF
AC0099	15F	10M	7.6F	-	K-Resin



REF	Patient	Circuit	Port A	Port B	Material
AC0030	15F	10M	7.6F	6M	PSF
AC0031	15F	10M	-	-	PC
AC0032	15F	10M	-	6M	PC
AC0033	15F	10M	7.6F	-	PC
AC0034	15F	10M	Luer	-	PC
AC0080	15F	10M	7.6F	-	PSF
AC0128	15F	10M	7.6F	6M	PSF
AC0223	15F	10M	-	-	PSF
AC0112	15F	10M	4.3F	-	PC



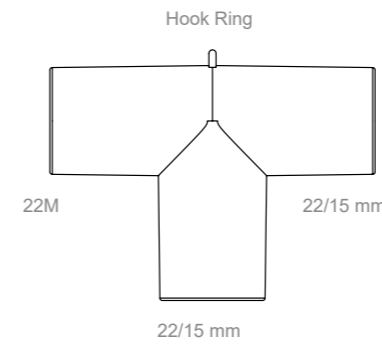
REF	Patient	Circuit	Port A	Port B	Material
AC0014	15F	10M	L 4B	-	PP
AC0083	15F	10M	7.6F	-	PP
AC0084	15F	10M	L 6B	-	PP
AC0085	15F	10M	Luer	-	PP

Tee Connectors

Do not reuse
PE/PP/PS/K-Resin/PMMA

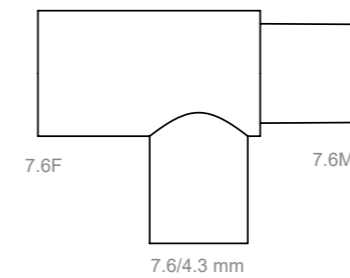
Autoclavable up to 121°C
121 PC

Autoclavable up to 134°C
134 PSF



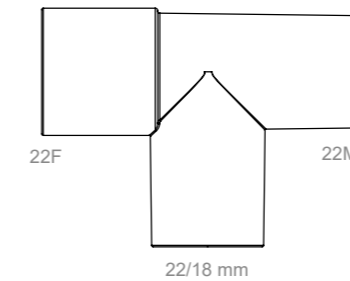
Durable

REF	Cuff 1	Cuff 2	Cuff T	Port	Material
AC0173	22M	22/15 mm	22/15 mm	Hook Ring	PC



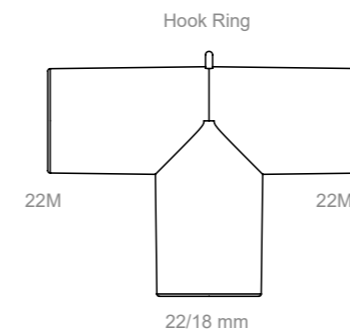
Durable

REF	Cuff 1	Cuff 2	Cuff T	Port	Material
AC0175	7.6F	7.6M	7.6/4.3 mm	-	PC



Disposable

REF	Cuff 1	Cuff 2	Cuff T	Port	Material
AC0171	22F	22M	22/18 mm	-	PE
AC0058	22F	22M	22/18 mm	-	PS



Disposable

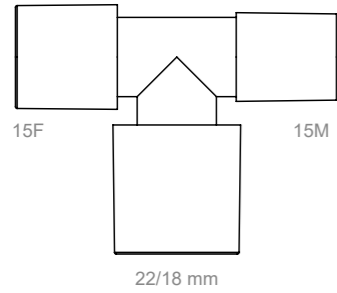
REF	Cuff 1	Cuff 2	Cuff T	Port	Material
AC0172	22M	22M	22/18 mm	Hook Ring	PE

Tee Connectors

Do not reuse
PE/PP/PS/K-Resin/PMMA

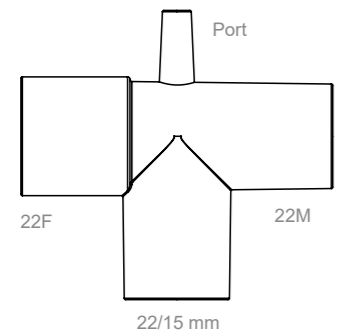
Autoclavable up to 121°C
PC

Autoclavable up to 134°C
PSF



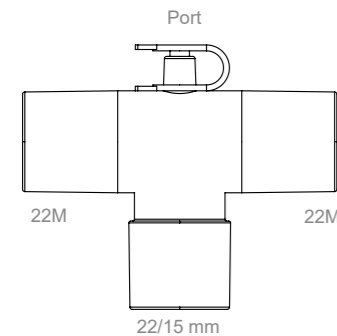
Disposable

REF	Cuff 1	Cuff 2	Cuff T	Port	Material
AC0178	15F	15M	22/18 mm	-	K-Resin



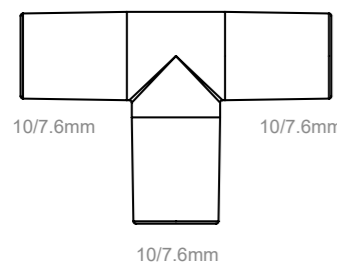
Disposable

REF	Cuff 1	Cuff 2	Cuff T	Port	Material
AC0003	22F	22M	22/15 mm	-	PMMA
AC0165	22F	22M	22/15 mm	6M	PMMA



Disposable

REF	Cuff 1	Cuff 2	Cuff T	Port	Material
AC0167	22M	22M	22/15 mm	-	PS
AC0168	22M	22M	22/15 mm	Luer	PS
AC0170	22M	22M	22/15 mm	7.6F	PS



Disposable

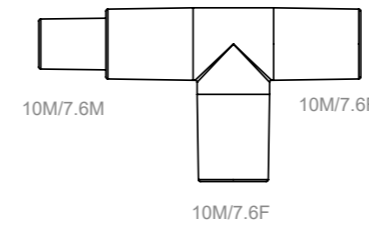
REF	Cuff 1	Cuff 2	Cuff T	Port	Material
AC0061	10/7.6 mm	10/7.6 mm	10/7.6 mm	-	K-Resin

Tee Connectors

Do not reuse
PE/PP/PS/K-Resin/PMMA

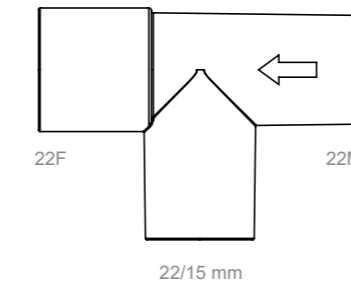
Autoclavable up to 121°C
PC

Autoclavable up to 134°C
PSF



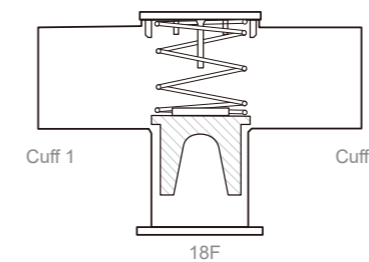
REF	Cuff 1	Cuff 2	Cuff T	Port	Material
AC0177	10M/7.6M	10M/7.6F	10M/7.6F	-	K-Resin

Valved Tee



REF	Cuff 1	Cuff 2	Cuff T	Port	Material
AV0066	22M	22F	22/15 mm	-	PMMA

Valved Nebulizer Tee



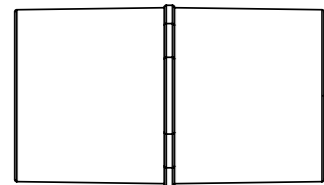
REF	Cuff 1	Cuff 2	Cuff T	Port	Material
AV0074	10F	10M	18F	-	PC
AV0075	15F	15M	18F	-	PC
AV0076	22F	22/15	18F	-	PC
AV0077	22M	22M	18F	-	PC
AV0097	22F	22M	18F	-	PC

Straight Connectors

Do not reuse
PE/PP/PS/K-Resin/PMMA

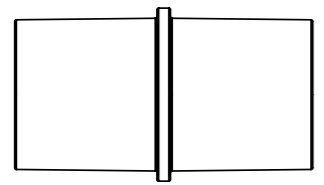
Autoclavable up to 121°C
PC

Autoclavable up to 134°C
PSF



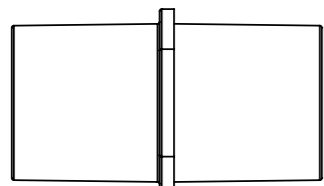
22F Cuff 2

REF	Cuff 1	Cuff 2	Material
AC0097	22F	22F	PSF
AC0057	22F	22F	PC
AC0048	22F	22F	Dispo
AC0144	22F	22M	Dispo
AC0136	22F	22/15 mm	PSF
AC0164	22F	22/15 mm	PC
AC0133	22F	18/15	Dispo
AC0135	22F	15M	PSF
AC0055	22F	15M	PC
AC0142	22F	15M	Dispo
AC0098	22F	10/7.6 mm	PSF
AC0041	22F	10/7.6 mm	Dispo



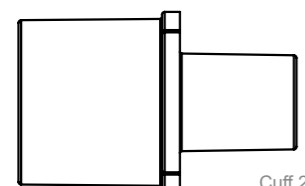
22M Cuff 2

REF	Cuff 1	Cuff 2	Material
AC0145	22M	32M	Dispo
AC0053	22M	30F	Dispo
AC0143	22M	22M	Dispo
AC0047	22M	22/11 mm	Dispo
AC0052	22M	13M	Dispo



22/15 mm Cuff 2

REF	Cuff 1	Cuff 2	Material
AC0214	22/15mm	22/15 mm	PSF
AC0056	22/15mm	22/15 mm	PC
AC0163	22/15mm	15M	PC
AC0046	22/15mm	15M	Dispo
AC0139	22/15mm	6M	Dispo



22/15 mm Cuff 2

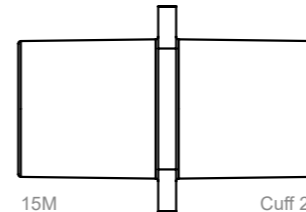
REF	Cuff 1	Cuff 2	Material
AC0039	15F	10/7.6 mm	Dispo

Straight Connectors

Do not reuse
PE/PP/PS/K-Resin/PMMA

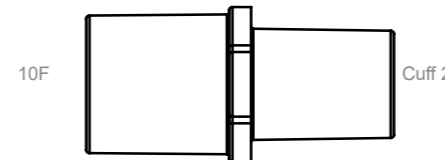
Autoclavable up to 121°C
PC

Autoclavable up to 134°C
PSF



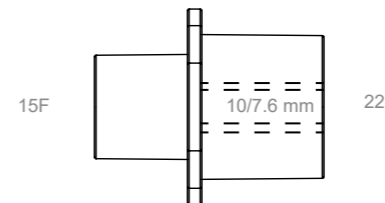
15M Cuff 2

REF	Cuff 1	Cuff 2	Material
AC0161	15M	15M	PSF
AC0160	15M	15M	PC
AC0141	15M	15M	Dispo
AC0045	15M	10M	Dispo
AC0040	15M	10/7.6 mm	Dispo
AC0138	15M	4M	Dispo



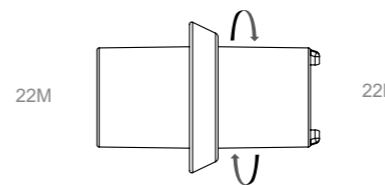
10F Cuff 2

REF	Cuff 1	Cuff 2	Material
AC0213	10F	10/7.6 mm	PSF
AC0042	10F	10/7.6 mm	Dispo
AC0131	10F	7.6M	PC



15F 10/7.6 mm 22F

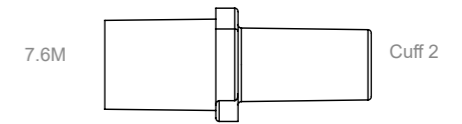
REF	Cuff 1	Cuff 2	Material
AC0132	15F	22F&10/7.6 mm	K-Resin



22M 22M

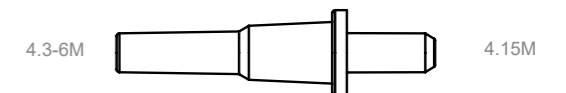
Silent Valve for CPAP

REF	Cuff 1	Cuff 2	Material
AC0106	22M	22M	PC



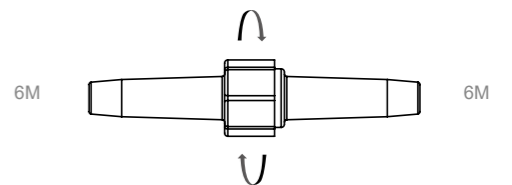
7.6M Cuff 2

REF	Cuff 1	Cuff 2	Material
AC0130	7.6M	4.3F	PC
AC0212	7.6M	Luer	PSF



4.3-6M 4.15M

REF	Cuff 1	Cuff 2	Material
AC0043	4.3~6M	4.15M	K-Resin



6M 6M

Swivel O2 Connector

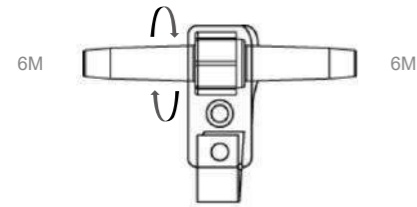
REF	Cuff 1	Cuff 2	Material
AO0046	6M	6M	Silicone

Straight Connectors

Do not reuse
PE/PP/PS/K-Resin/PMMA

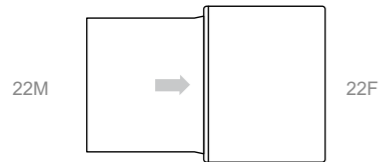
Autoclavable up to 121°C
121 PC

Autoclavable up to 134°C
134 PSF



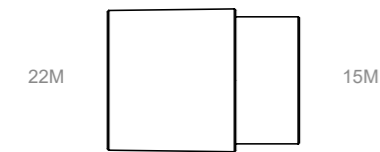
Swivel O2 Connector with clamp

REF	Cuff 1	Cuff 2	Material
AO0047	6M	6M	PC/PVC/ Stainless



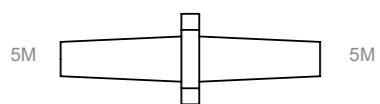
One-way valve

REF	Cuff 1	Cuff 2	Material
AV0063	22M	22F	PP



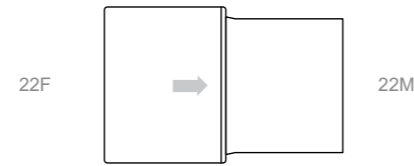
Flow Meter Adaptor

REF	Cuff 1	Cuff 2	Material
AC0018	22M	15M	Aluminum



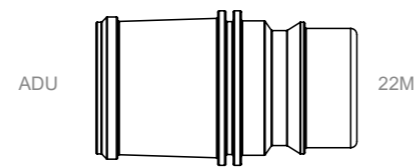
O2 Tubing Connector

REF	Cuff 1	Cuff 2	Material
AC0137	5M	5M	K-Resin



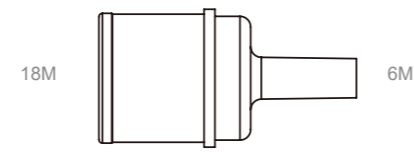
One-way valve

REF	Cuff 1	Cuff 2	Material
AV0062	22F	22M	PP



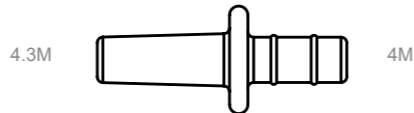
ADU Adaptor

REF	Cuff 1	Cuff 2	Material
AB0003	-	22M	PP



O2 mask Adaptor

REF	Cuff 1	Cuff 2	Material
AC0159	18M	6M	PE



Bird Connector

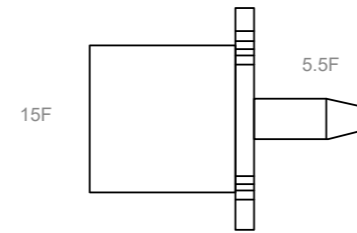
REF	Cuff 1	Cuff 2	Material
AC0020	4.3M	4M	PP

ET Tube Connectors

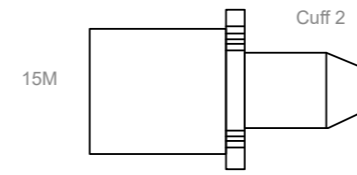
Do not reuse
PE/PP/PS/K-Resin/PMMA

Autoclavable up to 121°C
121 PC

Autoclavable up to 134°C
134 PSF



REF	Cuff 1	Cuff 2	Material
AC0158	15F	5.5F	PP



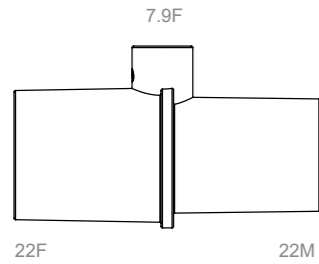
REF	Cuff 1	Cuff 2	Material
AC0244	15M	11F	PP
AC0050	15M	10F	PP
AC0157	15M	9F	PP
AC0156	15M	8.5F	PP
AC0049	15M	8F	PP
AC0155	15M	7.5F	PP
AC0154	15M	7F	PP
AC0153	15M	6.5F	PP
AC0152	15M	6F	PP
AC0151	15M	5.5F	PP
AC0150	15M	5F	PP
AC0149	15M	4.5F	PP
AC0148	15M	4F	PP
AC0147	15M	3.5F	PP
AC0146	15M	3F	PP
AC0243	15M	2.5F	PP

Straight Tee with Port

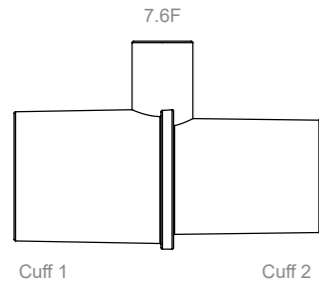
Do not reuse
PE/PP/PS/K-Resin/PMMA

Autoclavable up to 121°C
PC

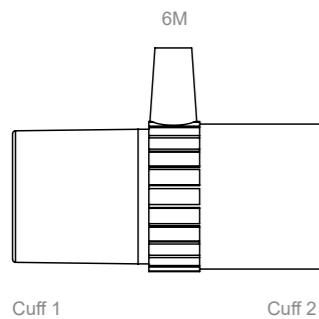
Autoclavable up to 134°C
PSF



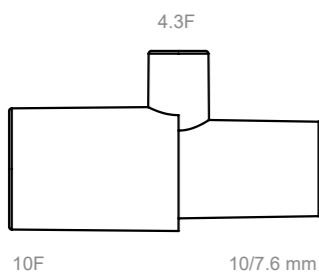
REF	Cuff1	Cuff2	Port	Material
AC0215	22F	22M	7.9F	PSF



REF	Cuff1	Cuff2	Port	Material
AC0192	22F	22/15 mm	7.6F	PSF
AC0190	22/15 mm	22/15 mm	7.6F	PC
AC0201	22F	22/15 mm	7.6F	Dispo
AC0187	22/15 mm	15M	7.6F	PC
AC0065	22/15 mm	15M	7.6F	Dispo



REF	Cuff1	Cuff2	Port	Material
AC0006	22F	22M	6M	Dispo
AC0005	22F	22/15 mm	6M	Dispo
AC0193	22F	22/15 mm	6M	PSF
AC0194	22F	22/15 mm	6M	PC
AC0204	22F	22/15 mm	6M	Dispo
AC0191	22/15 mm	22/15 mm	6M	PSF
AC0198	22/15 mm	22/15 mm	6M	Dispo
AC0188	22/15 mm	15/10 mm	6M	PSF
AC0189	22/15 mm	15/10 mm	6M	PC



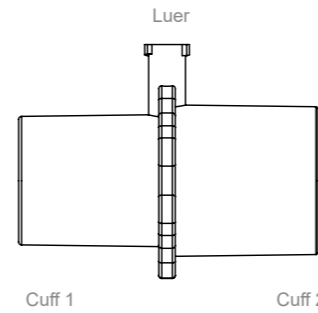
REF	Cuff1	Cuff2	Port	Material
AC0176	10F	10/7.6 mm	4.3F	Dispo

Straight Tee with Port

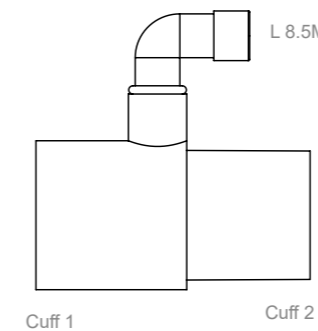
Do not reuse
PE/PP/PS/K-Resin/PMMA

Autoclavable up to 121°C
PC

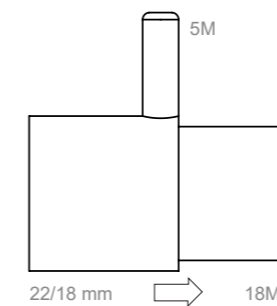
Autoclavable up to 134°C
PSF



REF	Cuff1	Cuff2	Port	Material
AC0207	22F	22/15 mm	Leur	PSF
AC0007	22F	22/15 mm	Leur	PC
AC0066	22F	22/15 mm	Leur	Dispo
AC0060	22F	10/7.6 mm	Leur	Dispo
AC0205	22/15 mm	22/15 mm	Leur	PSF
AC0206	22/15 mm	22/15 mm	Leur	PC
AC0199	22/15 mm	22/15 mm	Leur	Dispo
AC0067	22/15 mm	15M	Leur	PSF
AC0077	22/15 mm	15M	Leur	Dispo
AC0064	22/15 mm	15M	Leur	Dispo
AC0063	22/15 mm	15M	Leur	Dispo

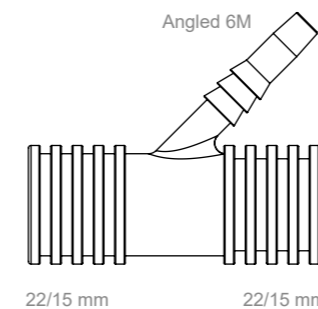


REF	Cuff1	Cuff2	Port	Material
AC0004	22F	22M	L 8.5M	Dispo
AC0200	22/15mm	22/15 mm	L 8.5M	Dispo



One-way valve

REF	Cuff1	Cuff2	Port	Material
AC0203	22/18 mm	18M	5M	PE



Washington T-Piece

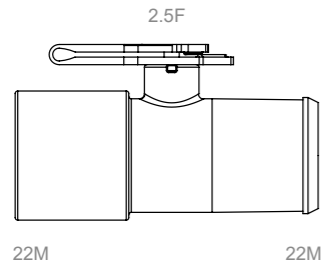
REF	Cuff1	Cuff2	Port	Material
AC0037	22/15 mm	22/15 mm	Angled 6M	PP

Straight Tee with Port

Do not reuse
PE/PP/PS/K-Resin/PMMA

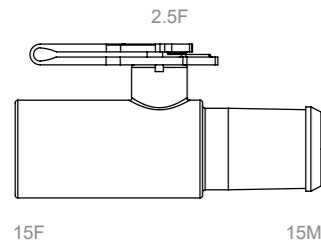
Autoclavable up to 121°C
PC

Autoclavable up to 134°C
PSF



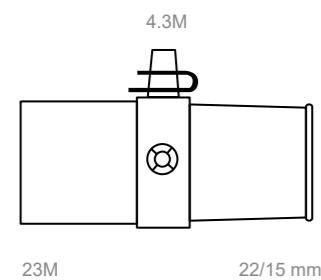
MDI Connector

REF	Cuff1	Cuff2	Port	Material
AD0031	22F	22M	2.5F	PP



MDI Connector

REF	Cuff1	Cuff2	Port	Material
AD0032	15F	15M	2.5F	PP



Straight Tee for CPAP

REF	Cuff1	Cuff2	Port	Material
AC0019	23M	22/15 mm	4.3M	PC

Caps for Port



AC0070



AC0071



AC0072



AC0209



AC0210



AC0211



AC0236

REF	Cuff 1	Material	QTY
AC0070	Cap for 7.6F Port, Disposable	EVA	5 pcs/pkg, 100 pkgs/carton
AC0071	Cap for 6F Port, Durable	Silicone	5 pcs/pkg, 100 pkgs/carton
AC0072	Cap for 7.6F Port, Durable	Silicone	5 pcs/pkg, 100 pkgs/carton
AC0209	Cap for 4.3M Port, Disposable	EVA	5 pcs/pkg, 100 pkgs/carton
AC0210	Cap for 6M Port, Durable	Silicone	5 pcs/pkg, 100 pkgs/carton
AC0211	Cap for 4M Port, Durable	Silicone	5 pcs/pkg, 100 pkgs/carton
AC0236	Cap for 4.3M Port, Disposable (w/o strap)	-	5 pcs/pkg, 100 pkgs/carton

A Guide to Symbols Used in the Following Catalogue

Do not reuse	Autoclavable up to 134°C	Autoclavable up to 121°C
Indicates the device that is intended for use on a single patient during a single procedure.	Indicates that the instrument is sterilizable in a steam sterilizer (autoclave) up to 134°C.	Indicates that the instrument is sterilizable in a steam sterilizer (autoclave) up to 121°C.

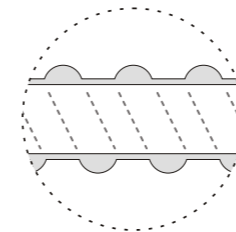


Tubing



Durable Tubing

- Designed for ventilator, anesthesia, CPAP or other NIPPV applications.
- Smoothbore design provides less flow resistance, constant compliance and less turbulence during high-flow ventilation.
- Material: Silicone or Hytrel.
- Different lengths are available upon request.



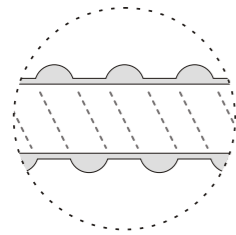
Aplus

Silicone / Smoothbore



REF		Material	Model	Color	Cuff	Length	QTY
AT0018	Aplus	Silicone	Smoothbore	Grey	22F	30 cm	50 pcs/carton
AT0028	Aplus	Silicone	Smoothbore	Grey	22F	45 cm	20 pcs/carton
AT0019	Aplus	Silicone	Smoothbore	Grey	22F	60 cm	50 pcs/carton
AT0013	Aplus	Silicone	Smoothbore	Grey	22F	90 cm	40 pcs/carton
AT0016	Aplus	Silicone	Smoothbore	Grey	22F	120 cm	30 pcs/carton
AT0014	Aplus	Silicone	Smoothbore	Grey	22F	150 cm	20 pcs/carton
AT0015	Aplus	Silicone	Smoothbore	Grey	22F	180 cm	20 pcs/carton
AT0027	Aplus	Silicone	Smoothbore	Grey	15F	30 cm	50 pcs/carton
AT0075	Aplus	Silicone	Smoothbore	Grey	15F	45 cm	50 pcs/carton
AT0020	Aplus	Silicone	Smoothbore	Grey	15F	60 cm	60 pcs/carton
AT0029	Aplus	Silicone	Smoothbore	Grey	15F	120 cm	50 pcs/carton
AT0030	Aplus	Silicone	Smoothbore	Grey	15F	150 cm	30 pcs/carton

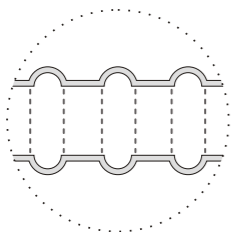
Durable Tubing



Slim-Cuff
Silicone / Smoothbore



REF	Material	Model	Cuff	Length	QTY	
AT0011	Slim Cuff	Silicone	Smoothbore	15F	30 cm	100 pcs/carton
AT0041	Slim Cuff	Silicone	Smoothbore	15F	60 cm × 2	50 pcs/carton
AT0040	Slim Cuff	Silicone	Smoothbore	15F, 10F	30 cm	50 pcs/carton
AT0042	Slim Cuff	Silicone	Smoothbore	22F	30 cm	50 pcs/carton

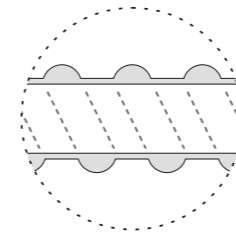


Sil-Flex
Silicone / Smoothbore



REF	Material	Model	Cuff	Length	QTY	
AT0006	Sil-Flex	Silicone	Smoothbore	22F	20 cm	50 pcs/carton
AB0137	Sil-Flex	Silicone	Smoothbore	22F	35 cm	60 pcs/carton
AB0138	Sil-Flex	Silicone	Smoothbore	22F	50 cm	60 pcs/carton
AB0139	Sil-Flex	Silicone	Smoothbore	22F	65 cm	40 pcs/carton
AB0140	Sil-Flex	Silicone	Smoothbore	22F	110 cm	30 pcs/carton
AB0141	Sil-Flex	Silicone	Smoothbore	22F	140 cm	30 pcs/carton

Durable Tubing

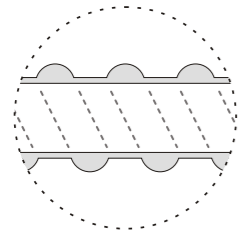


Hytrel Silicone / Smoothbore



REF	Material	Model	Color	Cuff	Length	QTY
AT0004	Hytrel	Smoothbore	Blue	15F	30 cm	50 pcs/carton
AT0005	Hytrel	Smoothbore	Blue	15F	60 cm	50 pcs/carton
AT0026	Hytrel	Smoothbore	Blue	15F	120 cm	30 pcs/carton
AT0002	Hytrel	Smoothbore	Blue	22F	45 cm	50 pcs/carton
AT0003	Hytrel	Smoothbore	Blue	22F	60 cm	50 pcs/carton
AT0021	Hytrel	Smoothbore	Blue	22F	75 cm	50 pcs/carton
AT0062	Hytrel	Smoothbore	Blue	22F	90 cm	50 pcs/carton
AT0025	Hytrel	Smoothbore	Blue	22F	110 cm	50 pcs/carton
AT0022	Hytrel	Smoothbore	Blue	22F	120 cm	50 pcs/carton
AT0063	Hytrel	Smoothbore	Blue	22F	130 cm	50 pcs/carton
AT0023	Hytrel	Smoothbore	Blue	22F	150 cm	30 pcs/carton
AT0024	Hytrel	Smoothbore	Blue	22F	180 cm	25 pcs/carton

Durable Tubing



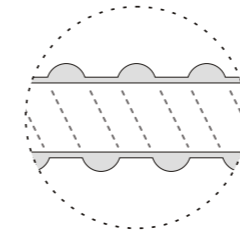
Hytrel Silicone / Smoothbore



REF	Material	Model	Color	Cuff	Length	QTY
AT0067	Hytrel Silicone	Smoothbore	Ivory	22F	30 cm	50 pcs/carton
AT0043	Hytrel Silicone	Smoothbore	Ivory	22F	60 cm	50 pcs/carton
AT0044	Hytrel Silicone	Smoothbore	Ivory	22F	90 cm	50 pcs/carton
AT0045	Hytrel Silicone	Smoothbore	Ivory	22F	120 cm	50 pcs/carton
AT0046	Hytrel Silicone	Smoothbore	Ivory	22F	160 cm	30 pcs/carton
AT0047	Hytrel Silicone	Smoothbore	Ivory	10F	30 cm	60 pcs/carton
AT0007	Hytrel Silicone	Smoothbore	Ivory	10F	60 cm	60 pcs/carton
AT0068	Hytrel Silicone	Smoothbore	Ivory	10F	90 cm	60 pcs/carton
AT0008	Hytrel Silicone	Smoothbore	Ivory	10F	120 cm	50 pcs/carton

Disposable Tubing

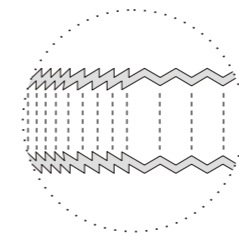
- Designed for ventilator, anesthesia, CPAP or other NIPPV applications.
- Smoothbore design provides less flow resistance, constant compliance and less turbulence during high-flow ventilation.
- Material: Polypropylene or EVA. Disposable Material for single-patient use to minimize the risk of cross-contamination.
- Different lengths are available upon request.



ESB / Smoothbore



REF	Material	Model	Color	Cuff	Length	QTY
AT0065	ESB	Smoothbore	Grey	22F	60 cm	50 pcs/carton
AT0033	ESB	Smoothbore	Grey	22F	180 cm	25 pcs/carton
AT0034	ESB	Smoothbore	Grey	22F	180 cm	25 pcs/carton
AT0035	ESB	Smoothbore	Grey	22F	60 cm	25 pcs/carton
AB0150	ESB	Smoothbore	Grey	22F	180 cm w/Pressure Line	25 pcs/carton

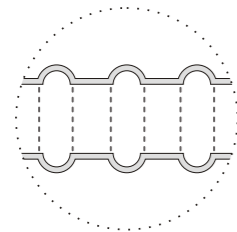


PP / Collapsible



REF	Material	Model	Cuff	Length	QTY
AT0056	PP	Collapsible	22F	120 cm	100pcs/carton
AT0054	PP	Collapsible	22F	150 cm	100pcs/carton
AT0055	PP	Collapsible	22F	180 cm	100pcs/carton

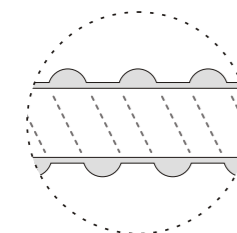
Disposable Tubing



EVA / Corrugate



REF	Material	Model	Cuff	Length	QTY
AT0052	EVA	Corrugate	15F	15 cm	500 pcs/carton
AT0053	EVA	Corrugate	22F	15 cm	600 pcs/carton
AT0050	EVA	Corrugate	22F	100 cm	100 pcs/carton
AT0051	EVA	Corrugate	22F	150 cm	50 pcs/carton
AT0012	EVA	Corrugate	22F	180 cm	50 pcs/carton

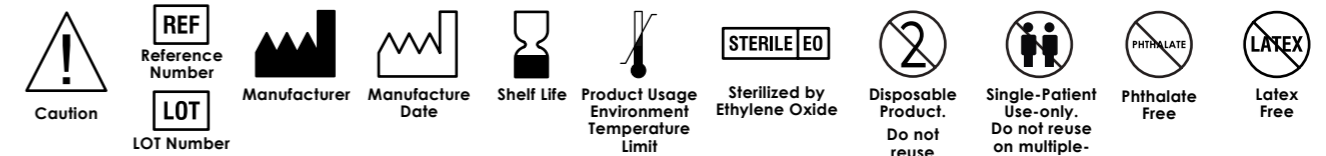


EVA / Smoothbore



REF	Material	Model	Cuff	Length	QTY
AT0074	EVA	Smoothbore	22F	45 cm	150 pcs/carton
AT0060	EVA	Smoothbore	22F	60 cm	50 pcs/carton
AT0032	EVA	Smoothbore	22F	100 cm	100 pcs/carton
AT0017	EVA	Smoothbore	22F	120 cm	50 pcs/carton
AT0064	EVA	Smoothbore	22F	150 cm	100 pcs/carton
AT0031	EVA	Smoothbore	22F	180 cm	100 pcs/carton

Users should fully understand the uses of products and the following symbols before use.



Common Materials and Sterilization Method

Material	Autoclavable	Chemical Disinfection	Ethylene Oxide Sterilization
PVC	No	No	No
Acrylic	No	No	No
K-Resin	No	No	No
ABS	No	No	Yes
Polyethylene(PE)	No	Yes	No
Polypropylene(PP)	No	Yes	No
Hytrell	Yes (121c)	No	Yes
Polycarbonate(PC)	Yes (121c)	No	Yes
Polysulfone(PSF)	Yes	Yes	Yes
Silicone Rubber	Yes	Yes	Yes
Stainless Steel	Yes	Yes	Yes



Disposable and Single-patient use products are designed to reduce the risk of cross-contamination and therefore have strict prohibitions on re-processing or reusing them on multiple users.

When re-using durable products, make sure to follow validated institution policy and procedure as well as the information available for disinfection processes.

When to clean or disinfect:

1. If product has been used
2. If product is contaminated
3. If product has been used for more than 24 hours on a single-patient

Manufacturer's suggested procedure for disinfection:

The following instruction is a general guide. Please refer to individual organization's operating instructions on cleaning and disinfecting products:

- a. High Temperature Pressure Disinfection: Products should be disinfected at 134°C for 5 minutes (eg. for materials such as polysulfone, silicone, stainless steel). For hytrell and polycarbonate products, the temperature should not exceed 121°C and should not be processed for longer than 15 minutes.
- b. Chemical Disinfection: Products should be soaked under warm water with mild detergents. Wash and rinse thoroughly to remove any residual material and store in a cool dry place to allow it to air dry.
- c. Ethylene Oxide Disinfection: Follow the instruction for use for Ethylene Oxide disinfection devices.

Cleaning instructions for homecare products:

When cleaning or disinfecting homecare products, users can follow the following general guidance as well as the individual product user manuals:

1. Boiling Water can be used on products that are not degradable. Products that are metal and stainless steel nature can be disinfected by boiling for 10 - 15 minutes with water.
2. Hot-water disinfection (Pasteurization) is a high level, non toxic disinfection process that can be used to reprocess products. In this process, a previously cleaned equipment is immersed in a water bath at 63-65°C for 30 minutes.
3. Alcohol Disinfection: Place products under a combination of mild soap and water and rinse thoroughly, then; proceed to soak under 70% Isopropanol (Alcohol) for 5 minutes which then should be rinsed with sterile water.
4. Detergents: Clean and remove all organic matter (blood and tissue) along with other residue from product or equipment. Wash products using a mild detergent such as (glutaraldehyde) and then rinse with sterile water. Products should then be dried and stored in a cool and dry place.

Important Note:

1. After disinfection and sterilization procedures, products and equipment should be stored in an appropriate package so as to avoid further contamination
2. Disposable products should be disposed after one-time use. This is to minimize cross-contamination and ensure patient safety.

REF	Old REF	Page
AB0003	6727	46
AB0004	2016	31
AB0008	70061	31
AB0009	70062	31
AB0011	6015-N01	30
AB0020	71067	21
AB0029	70064	31
AB0030	70065	31
AB0032	7CCD23	26
AB0045	7CAD22	26
AB0047	7CBD22	26
AB0048	7CBD23	26
AB0049	7CCD21	26
AB0050	7CCD22	26
AB0125	71053	22
AB0130	73683	29
AB0133	77011	25
AB0134	77013	25
AB0135	77014	25
AB0136	77015	25
AB0137	77022	54
AB0138	77023	54
AB0139	77024	54
AB0140	77027	54
AB0141	77028	54
AB0143	77035	25
AB0144	77036	25
AB0145	77038	25
AB0147	77046	25
AB0148	77121	28
AB0149	77122	28
AB0150	38101	57
AB0152	6015	30
AB0192	77124	28
AB0193	77126	27
AB0194	77127	28
AB0197	77131	28
AB0198	77133	29
AB0199	77139	29
AB0200	77145	29
AB0202	77149	29
AB0217	7WSV02	22
AB0222	CL01	30
AB0223	CL02	30

REF	Old REF	Page
AB0224	CL03	30
AB0225	CL04	30
AB0226	CL10	31
AB0232	71065	21
AB0256	73671	27
AB0258	77128	27
AB0318	77150	27
AC0002	73006	39
AC0003	75055	42
AC0004	76243	49
AC0005	76246	48
AC0007	76256	49
AC0011	73036-A01	39
AC0014	7YDD32	40
AC0015	7YHD31	40
AC0016	L0020P	36
AC0017	Y3020K	39
AC0018	33118	46
AC0019	54032	50
AC0020	70073	46
AC0021	72201	35
AC0022	72209	36
AC0023	72211	37
AC0024	72213	37
AC0025	72221	35
AC0026	72223	35
AC0027	73001	38
AC0028	73011	39
AC0029	73017	38
AC0030	73021	40
AC0031	73022	40
AC0032	73023	40
AC0033	73024	40
AC0034	73025	40
AC0035	73038	39
AC0036	73040	39
AC0037	73046	49
AC0038	73057	39
AC0039	74004	44
AC0040	74005	45
AC0041	74006	44
AC0042	74007	45
AC0043	74025	45
AC0045	74051	45

REF	Old REF	Page
AC0046	74053	44
AC0047	74055	44
AC0048	74059	44
AC0049	74072	47
AC0050	74075	47
AC0052	74111	44
AC0053	74112	44
AC0055	74503	44
AC0056	74505	44
AC0057	74509	44
AC0058	75035	41
AC0060	75187	49
AC0061	75188	42
AC0063	76226	49
AC0064	76227	49
AC0065	76229	48
AC0066	76240	49
AC0067	76251	49
AC0070	78016	51
AC0071	78032	51
AC0072	78033	51
AC0077	76228-01	49
AC0080	73064	40
AC0081	73009-A01	38
AC0083	7YDD31	40
AC0084	7YDD33	40
AC0085	7YDD34	40
AC0086	7YKD21	38
AC0087	7YKD22	38
AC0088	L0010P	36
AC0089	L0030F	35
AC0090	L0040F	36
AC0091	L0050F	36
AC0092	L0060F	35
AC0093	L0120C	36
AC0097	74045	44
AC0098	S0540F	44
AC0099	Y3037K	40
AC0101	Y1010F	38
AC0102	Y3027F	39
AC0103	Y3030F	40
AC0106	54031	45
AC0107	72015	37
AC0109	72203	35

REF	Old REF	Page
AC0110	72207	36
AC0112	72216	37
AC0112	72216	40
AC0113	72224	37
AC0114	72231	35
AC0115	72234	35
AC0116	72235	35
AC0117	72242	35
AC0118	72247	37
AC0119	73002	38
AC0120	73004	38
AC0121	73018	38
AC0123	73037	39
AC0124	73041	38
AC0125	73042	38
AC0126	73044	38
AC0127	73058	39
AC0128	73061	40
AC0129	73067	39
AC0130	74002	45
AC0131	74003	45
AC0132	74015	45
AC0133	74038	44
AC0135	74042	44
AC0136	74044	44
AC0137	74047	46
AC0138	74048	45
AC0139	74049	44
AC0141	74052	45
AC0142	74054	44
AC0143	74056	44
AC0144	74057	44
AC0145	74058	44
AC0146	74062	47
AC0147	74063	47
AC0148	74064	47
AC0149	74065	47
AC0150	74066	47
AC0151	74067	47
AC0152	74068	47
AC0153	74069	47
AC0154	74070	47
AC0155	74071	47
AC0156	74073	47

REF	Old REF	Page
AC0157	74074	47
AC0158	74087	47
AC0159	74101	46
AC0160	74153	45
AC0161	74154	45
AC0163	74501	44
AC0164	74507	44
AC0165	75033	42
AC0167	75037	42
AC0168	75041	42
AC0170	75043	42
AC0171	75045	41
AC0172	75047	41
AC0173	75049	41
AC0175	75181	41
AC0176	75186	48
AC0177	75193	43
AC0178	75207	42
AC0187	76211	48
AC0188	76212	48
AC0189	76213	48
AC0190	76215	48
AC0191	76216	48
AC0192	76218	48
AC0193	76220	48
AC0194	76221	48
AC0198	76234	48
AC0199	76238	49
AC0200	76239	49
AC0201	76244	48
AC0203	76247	49
AC0204	76249	48
AC0205	76253	49
AC0206	76254	49
AC0207	76255	49
AC0209	78006	51
AC0210	78031	51
AC0211	78036	51
AC0212	S0050F	45
AC0213	S0117F	45
AC0214	S0470F	44
AC0215	S0499F	48
AC0219	72214	37
AC0220	73014	39

REF	Old REF	Page
AC0222	73039	39
AC0223	73062	40
AC0228	73013-C01	38
AC0230	73013	39
AC0235	73009	39
AC0236	78010	51
AC0243	74061	47
AC0244	74076	47
AD0031	30341	49
AD0032	30342	50
AD0033	30351	37
AF0001	39013	16
AF0002	39014	16
AF0003	39015	16
AF0005	7FAD11	17
AF0007	7FAD12	17
AF0008	7FSD31	17
AF0009	7FSD32	17
AF0011	39018	17
AF0012	39019	17
AF0013	39020	16
AF0016	70015	17
AF0019	39013-C03	16
AF0020	39016	16
AH0022	HF11	14
AH0023	HF12	19
AH0024	HF14	19
AH0025	HF31	15
AH0026	HF32	15
AH0039	3485	14
AH0040	39009	14
AH0041	39012	15
AH0071	HF13	19
AM0008	5630	33
AM0009	5631	33
AM0010	5632	33
AM0011	5633	33
AM0012	5634	33
AM0013	5635	33
AM0104	5621	33
AM0136	—	33
AM0137	—	33
AM0138	—	33
AM0139	—	33

REF	Old REF	Page
AM0140	—	33
AM0141	—	33
AM0142	—	33
AO0046	30019	45
AO0047	30022	46
AR0003	2001	9
AR0004	2021	7,8
AR0005	2033	9
AR0007	22007	7
AR0013	20006	8
AR0015	21001	7
AR0016	21002	7
AR0017	21003	7
AR0018	23001	7
AR0019	24005	8
AR0020	24006	8
AR0049	20025	7
AR0050	2037	7
AR0051	2038	7
AR0054	21023	7
AR0065	22008	7
AR0086	24007	8
AR0087	24008	8
AR0097	21037	8
AR0098	21038	8
AR0099	21039	8
AT0002	38022	55
AT0003	38023	55
AT0004	38031	55
AT0005	38032	55
AT0006	77021	54
AT0007	77642	56
AT0008	77644	56
AT0011	38001	54
AT0012	38002	58
AT0013	38003	53
AT0014	38004	53
AT0015	38005	53
AT0016	38006	53
AT0017	38017	58
AT0018	38018	53
AT0019	38019	53
AT0020	38021	53
AT0021	38026	55

REF	Old REF	Page
AT0022	38027	55
AT0023	38028	55
AT0024	38029	55
AT0025	38030	55
AT0026	38035	55
AT0027	38041	53
AT0028	38042	53
AT0029	38045	53
AT0030	38046	53
AT0031	38051	58
AT0032	38052	58
AT0033	38072	57
AT0034	38077	57
AT0035	38078	57
AT0040	77350	54
AT0041	77352-B01	54
AT0042	77353	54
AT0043	77622	56
AT0044	77623	56
AT0045	77624	56
AT0046	77625	56
AT0047	77641	56
AT0050	77802	58
AT0051	77803	58
AT0052	77811	58
AT0053	77816	58
AT0054	77822	57
AT0055	77823	57
AT0056	77826	57
AT0060	38015	58
AT0062	38025	55
AT0063	38034	55
AT0064	38053	58
AT0065	38071	57
AT0067	77621	56
AT0068	77643	56
AT0074	38014	58
AT0075	38044	53
AV0001	71050	21
AV0002	2437	10
AV0003	2414	10
AV0004	2423	10
AV0010	7VWP21	22
AV0016	2401	10

