



Mechanical Ventilation

Ergonomic Design With
High Quality





CONTENTS

6

Single Limb Breathing Circuit

14

Dual Limb Breathing Circuit

24

Humidity Therapy -
Active Humidification

36

Sleep Therapy

44

Accessories

51

Heat and Moisture exchange filter
(HMEF) & Filter

67

Tubing

75

Product Index

79

Symbols and Cleaning Instructions



Mechanical Ventilation

Durable Single Limb Ventilator Circuit	07
Durable J Circuit	08
Disposable Single Limb Ventilator Circuit	09
IPPB Circuit	10
Emergency(EMS) Breathing Circuit	11
3-Way/ 2-Way Manifold	12-13
Sil.Plus™ Silicone Breathing Circuit	15-16
Durable Silicone Breathing Circuit	18-19
Hytrell Breathing Circuit	20-21
Disposable EVA Circuit	22-23
Heated H5D and H5A Chamber	26-27
Humidification Chamber-Manual Type, Auto-Feeding Type	28-29
Humi.AIDET™ Heated Wire Circuit	30-35
Mask(CPAP DL/ CPAP SL/ Bi-level CPAP-Face Mask/ NIV Mask)	38-41
Headgear	42-43
Catheter Mount	45-50
Heat and Moisture Exchanger (HME/ HMEF/ Filter/ THME)	52-59
Aerosol Delivery for Circuit	60
Dofin Spacer for Breathing Circuit	61
Circuit Hanger & Fixture	62
Pole, Rail and Table Clamps	62
ISO Mount Resuscitator Hanger/ Tube Clips	63
Water Trap	64-65
Test Lung	66
Durable/ Disposable Tubing	68-73

Your Best Choice Breathing Circuit and Accessories

Breathing Circuit can be best described as the lifeline between the patient and the mechanical ventilator. It consists of various combinations of interfaces, enabling the delivery of air to patients in a consistent and highly regulated manner.

The improved design makes it convenient to use and also maintains the outstanding quality that healthcare professionals rely on.



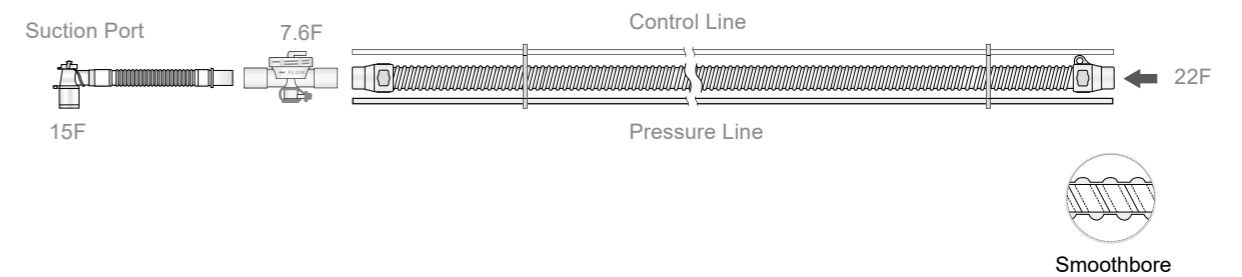
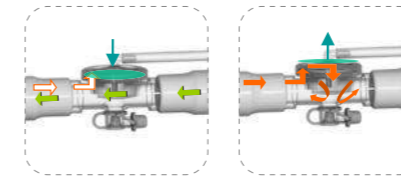


Single Limb Breathing Circuit



Durable Single Limb Ventilator Circuit

- Suitable for home care, ambulatory and emergency transport settings.
- Highly efficient Manifold has a quieter and prompt response.
- Smoothbore tubing is easy to clean and minimizes air turbulence in the circuit.
- All parts autoclavable at 134°C.



REF	Description	Elbow	Manifold	Swivel Catheter Mount	Main Limb	Control Line	Pressure Line
AB0028	Silicone Single Limb Circuit, Adult	22/15, 15M with Suction Port	3-Way 22/15, 22/15	L15F, 15 cm 15M Cuff	120 cm, 22F cuff	200 cm	200 cm
AB0282	Silicone Single Limb Ckt, Adult with L connector (22F, 22/15)	22/15, 15M with Suction Port	3-Way 22/15, 22/15	L15F, 15 cm 15M Cuff	120 cm, 22F cuff	200 cm	-
AV0070	Silicone Single Limb Ckt, Adult, 90 cm	22/15, 15M with Suction Port	3-Way 22/15, 22/15	L15F, 15 cm 15M Cuff	90 cm, 22F cuff	200 cm	200 cm

Package: 10 sets/box

Dimensions:

- 22 mm and 15 mm conform to ISO-5356-1
- Catheter mount patient port: 15F swivel
- Manifold port: 15M swivel
- Pressure port: 4B

Materials:

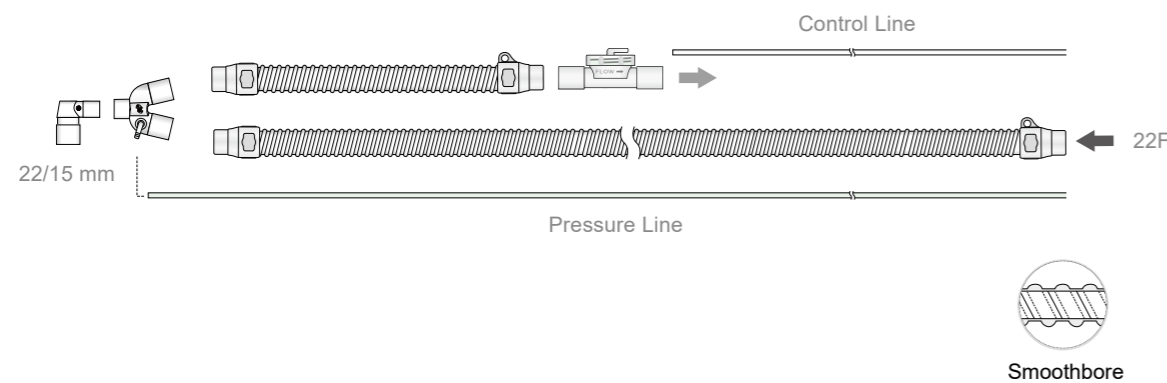
- Polysulfone for all connector and housing

Optional Accessories:

- Auto-feeding chamber and chamber limb
- HME and HMEF
- HEPA Filter
- Machine Water trap

Durable J Circuit 134

- Ultra lightweight for improved comfort.
- Manifold with highly efficient valve for quieter and prompt response.
- Smoothbore tubing is easy to clean and minimizes air turbulence in the circuit.
- All parts autoclavable at 134°C.



REF	Description	Elbow	Manifold	Wye 7.6 & 4B	Inhale	Exhale	Control Line	Pressure Line
AB0090	Silicone J-Circuit, Adult	15F	2 Way 22/15, 22/15	15F, 22M x 2	120 cm, 22F cuff	45 cm, 22F cuff	150 cm	150 cm

Package: 10 sets/box

Dimensions:

- Elbow: Patient port - 22/15 mm and 15 mm OD to wye connector
- Wye: 15F for patient interface, 22M for inhale and exhale tubing, 4B elbow connector for pressure sensing
- 22 mm and 15 mm conform to ISO-5356-1

Materials:

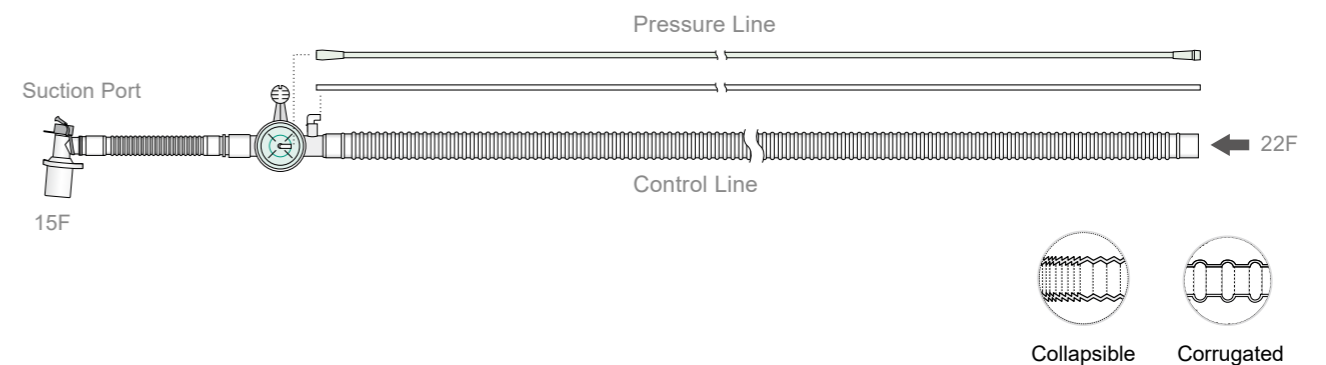
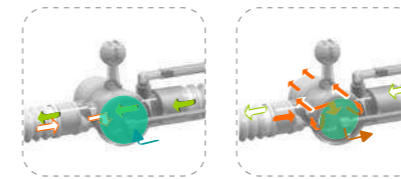
- Polysulfone for all connector and housing
- Silicone for inhale, exhale tubing, drive line and gas line requirements

Optional Accessories:

- Flex tube and catheter mount
- Auto-feeding chamber and chamber limb
- HME and HMEF
- HEPA Filter
- Water trap
- Connectors for different ventilators and connectors
- Connector with 7.6F temperature port

Disposable Single Limb Ventilator Circuit X

- Highly efficient Manifold has a quieter and prompt response.
- Smoothbore tubing is easy to clean and minimal air turbulence in the circuit.



REF	Description	Manifold	Catheter Mount	Main Limb	Control Line	Pressure Line	Package
AB0252	EVA Single Limb Circuit, 165 cm	3Way 22/15, 22/15	L 22/15, 15M	Corrugated 165 cm, 22F	200 cm	200 cm	20 pcs/carton
AB0126	EVA Single Limb Circuit, 165 cm w/WT	3Way 22/15, 22/15	L 22/15, 15M	Corrugated 165 cm, 22F	200 cm	200 cm	20 pcs/carton
AB0165	EVA Single Limb Circuit, 180 cm	3Way 22/15, 22/15	L 22/15, 15M	Corrugated 180 cm, 22F	200 cm	200 cm	15 pcs/carton
AB0093	EVA Single Limb Circuit, 120 cm	3Way 22/15, 22/15	Swivel DS-L 15F, 15M, 13 cm with suction port	Corrugated 120 cm, 22F	150 cm	150 cm	15 pcs/carton
AB0092	Single Limb Circuit, Collapsible	3Way 22/15, 22/15	Swivel DS-L 15F, 15M, 13 cm with suction port	Collapsible 42 cm(approx) -150 cm, 22F	150 cm	150 cm	20 pcs/carton

Dimensions:

- 22 mm and 15 mm conform to ISO-5356-1
- Catheter mount patient port: 15F swivel; Manifold port: 15M swivel
- Pressure port: 4B

Materials:

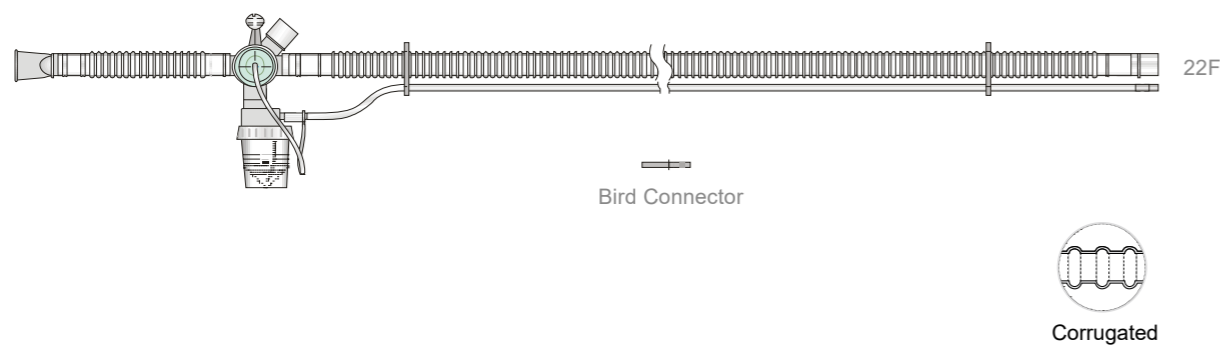
- Polypropylene for all connector and housing

Optional Accessories:

- Auto-feeding chamber and chamber limb
- HME and HMEF
- HEPA Filter
- Machine water trap
- Connectors for different ventilators

IPPB Circuit

- Ideal for most common IPPB treatment.
- Highly efficient Manifold has a quieter and prompt response.
- Nebulizer delivers aerosol particle size ranging from 1 to 5 MMAD.



REF	Description	Mouthpiece & Flex Tube	Manifold	Neb-1 Nebulizer	Main Limb	Control Line	Bird Connector
AB0124	IPPB Circuit, 150 cm	22M/ 15 cm	IPPB Manifold	●	150 cm	200 cm	●
AB0127	IPPB Circuit, Universal	22M/ 15 cm	IPPB Manifold	●	100 cm	200 cm	●

Package: 15 sets/box

Dimensions:

- 22 mm and 15 mm conform to ISO-5356-1
- Nebulizer: 18M outlet and 6M inlet
- Bird Connector: 4.3M
- Nebulizer: Capacity: 30 ml
Dead space: 1.5 ml
Particle size: range from 1 to 5 MMAD
Delivery: 0.35 ml/minute at 8 LPM

Material

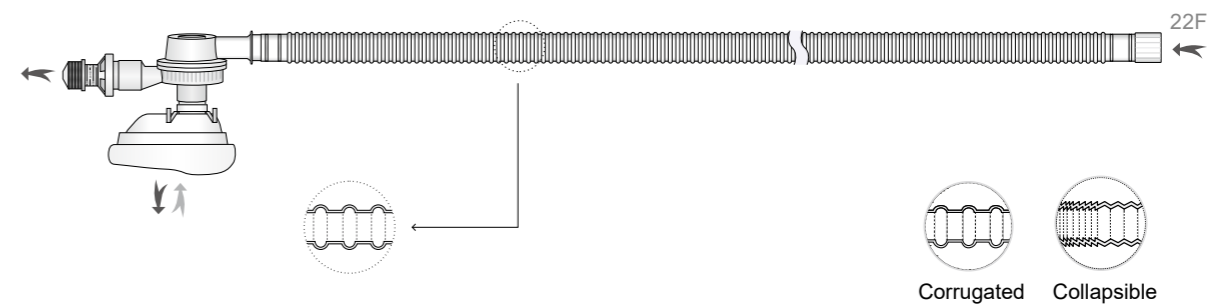
- EVA for corrugated tubing
- PE, PP and silicone for mouthpiece, nebulizer, manifold and connector
- PVC for control line

Optional Accessories:

- Face Masks

Emergency(EMS) Breathing Circuit

- Ultra lightweight for improved comfort.
- High Efficiency NRV Valve Quick response rate with low inspiratory and expiratory resistance.



REF	Description	Non-Rebreathing Valve	Disposable Tubing, 22F Cuff	PEEP Valve	Airsoft Mask	Package
AB0159	EMS Breathing Circuit	●	Collapsible, 42 cm (approx) - 150 cm	-	-	20 sets/carton
AB0067	EMS Breathing Circuit	●	150 cm	-	-	15 sets/carton
AB0070	EMS Circuit w/Mask, PEEP Valve	●	150 cm	●	#5	15 sets/carton

Dimensions:

- 22 mm and 15 mm conform to ISO-5356-1
- 30M on NRV for attachment of PEEP valve

Materials:

- EVA for collapsible tubing
- Polycarbonate, stainless steel and silicone for NRV and PEEP valve

Optional Accessories :

- Flex tube and catheter mount
- Auto-feeding chamber and chamber limb
- HME and HMEF
- HEPA Filter
- Water trap
- Connectors for different ventilators and connectors
- Connector with 7.6F temperature port

3-Way Manifold

The 3-Way Manifold is attached to the single limb breathing circuit to regulate the expiratory valve. The control line from the ventilator controls the opening of the valve to enable air to flow in and out accordingly. This line intermittently provides the pressure needed to close the expiratory valve during inspiration, which blocks gas outflow during the application of inspiratory positive pressure. This is done to ensure the patient receives optimal gas exchange conditions.

Durable 3-Way Manifold



- The durable 3-Way Manifold with Exhale Port also provides a standard 22 mm port for the monitoring or collection of expired gases through a scavenging bag.
- Pressure & Flow Rate: < 1.63 cmH₂O @ 60 LPM.

AV0022 Manifold, 3 Way, PSF

Package: 50 pcs/carton

Disposable 3-Way Manifold

- The disposable 3-Way Manifold comes with a hanger that can be attached to a hanger arm to help position or keep the breathing circuit in place.
- Pressure & Flow Rate: < 1.63 cmH₂O @ 60 LPM.



3 Way Manifold w/Swivel Exhale Cap

REF	Description	Port	QTY
AV0021	CV-3 Manifold	-	100 pcs/carton
AV0001	CV-3 Manifold w/6B	6M	100 pcs/carton



3 Way Manifold w/22M Exhale Port

REF	Description	Port	QTY
AB0020	CV-3 Manifold, L22M	-	100 pcs/carton
AV0058	CV-3 Manifold w/L22M, 7.6F	7.6F	100 pcs/carton



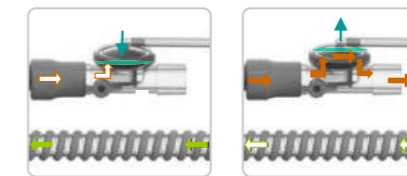
3 Way Manifold w/30M Exhale Port

REF	Description	Port	QTY
AV0023	CV-3 Manifold, 30M	-	100 pcs/carton
AB0232	CV-3 Manifold w/30M, 7.6F	7.6F	100 pcs/carton

2-Way Manifold

The 2-Way Manifold is used to regulate the flow for the expiratory of the dual limb breathing circuits. The control line from the ventilator controls the opening of the valve to enable air to flow out accordingly.

- Pressure & Flow Rate: < 4.52 cmH₂O @ 60 LPM (AV0078).
- 7.6F standard connector.
- Meets ISO 5356-1 standard.
- Meets ISO 10993-1 compatibility.



Durable 2-Way Manifold

REF	Description	Port	QTY
AV0078	Durable 2 Way Manifold	-	60 pcs/carton
AV0079	Durable 2 Way Manifold w/7.6F Port	7.6F	60 pcs/carton



Disposable 2-Way Manifold

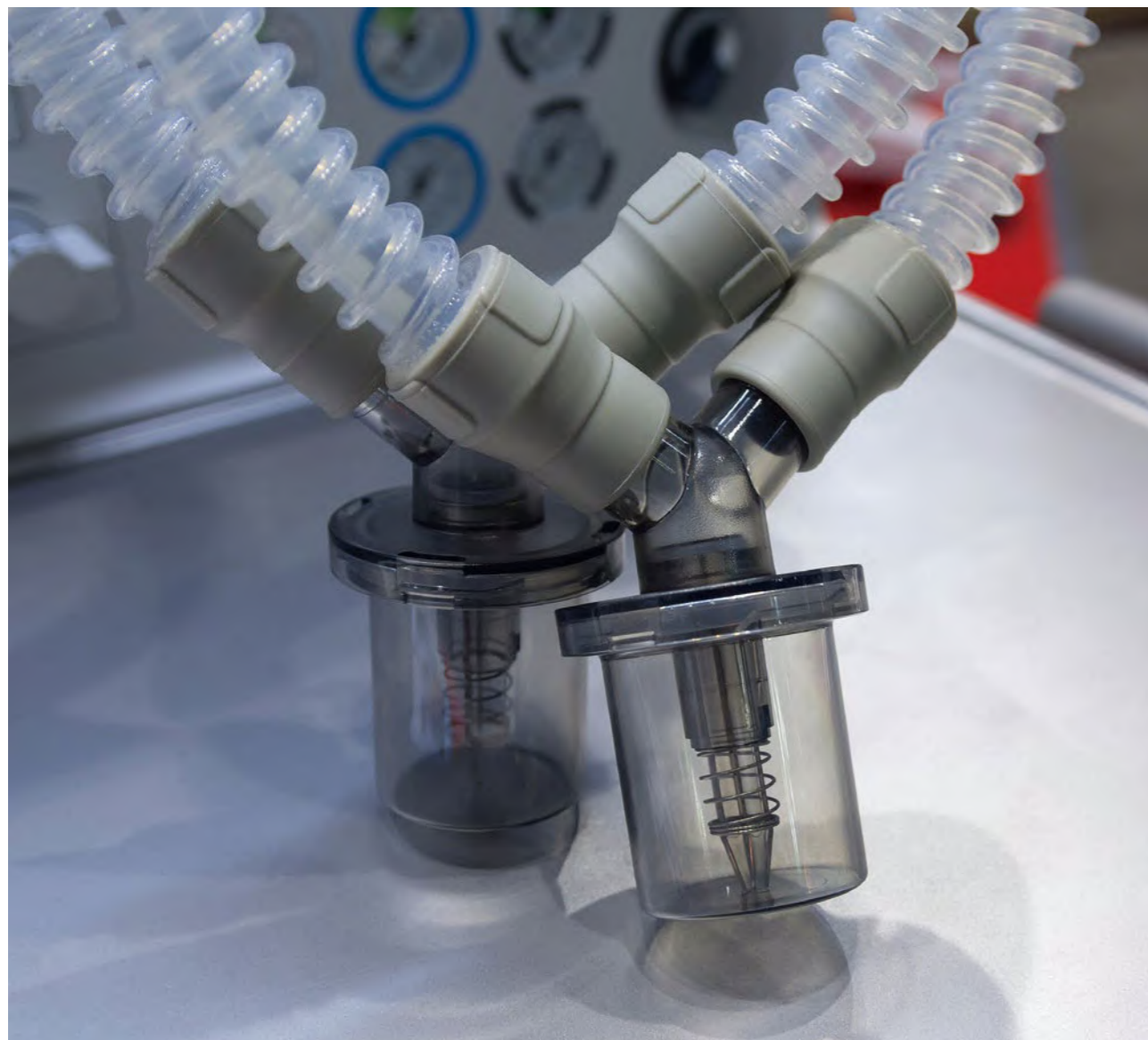
REF	Description	Port	QTY
AB0125	Dispo. 2 Way Manifold w/Elbow Drive Port	L type	60 pcs/carton
AV0056	Dispo. 2 Way Manifold w/Straight Drive Port	Straight Type	60 pcs/carton



2-Way Manifold with Water Trap

- CS Water Trap Volume: 55 ml
- Pressure & Flow Rate: < 3.02 cmH₂O @ 60 LPM (AV0010)
- Meets ISO 5356-1 standard
- Meets ISO 10993-1 compatibility

REF	Description	QTY
AV0010	Dispo. 2 Way Manifold w/CS Water Trap	25 pcs/carton
AB0217	Dispo. Suction Tube 3M, w/Angle Port	25 pcs/carton

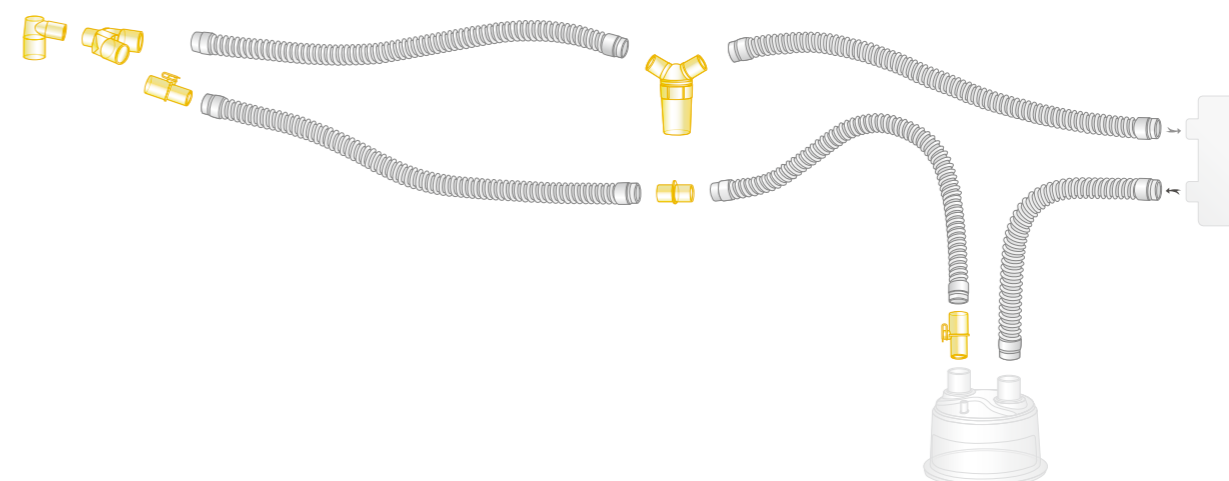


Dual Limb Breathing Circuit



Sil.Plus™ Silicone Breathing Circuit

Autoclavable breathing circuits no longer need to be heavy and bulky. The **Sil.Plus™** Extra-Lite Silicone Breathing Circuit combines aesthetics and practical light weights for patient comfort. With each circuit component weighting less than existing circuit components on the market, the **Sil.Plus™** Circuit relieves users from the limitations of using a durable circuit without compromising the efficiency and comfort.



Transparency

Transparency is not only a mark of high quality and technological achievement but also a sign of commitment to safety, which medical staff and the patients can check for any occlusion to the air passage.



Traceability

To better monitor traceability, each circuit component is embossed with a LOT stamp for an accurate record of the manufactured date.



Light Weight

Every component accounts for significantly less weight than existing durable circuit components on the market.



Simple & Compact

Designed with minimal loose components to reduce air leakage and misconnection.

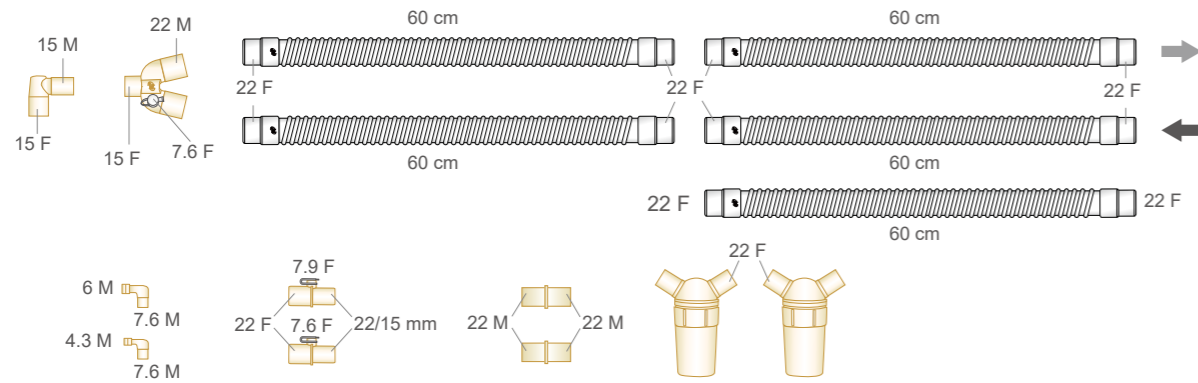


Easy to Assemble

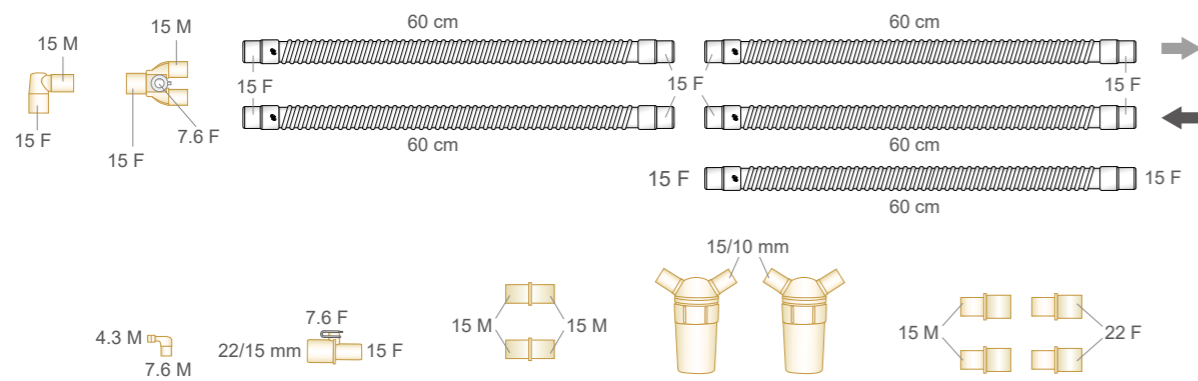
Easy to use slim-cuff design enables quick and easy assembly and disassembly of components.

Sil.Plus™ Silicone Breathing Circuit

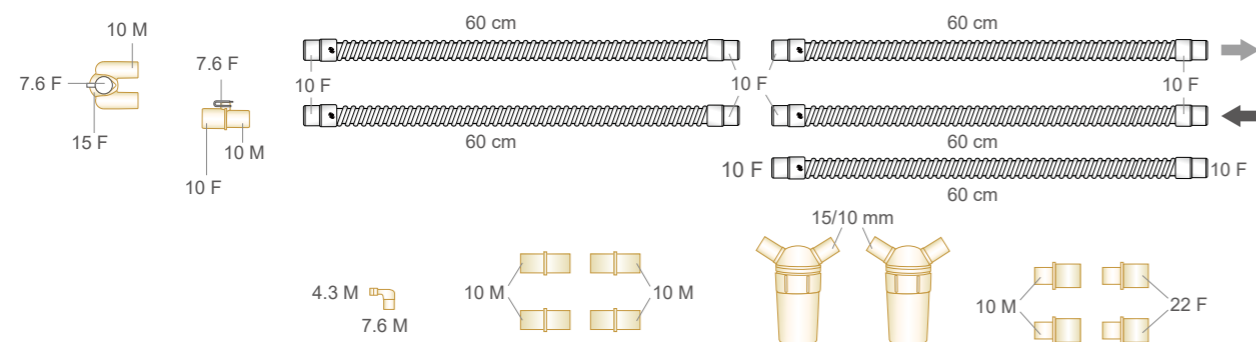
Adult Type



Child Type



Infant Type



REF	Description	Application	QTY
AB0038	Sil.Plus Circuit, Adult w/2 Water Trap	Adult	6 pcs/carton
AB0037	Sil.Plus Circuit, Child w/2 Water Trap	Child	6 pcs/carton
AB0036	Sil.Plus Circuit, Infant w/2 Water Trap	Infant	6 pcs/carton

Non-Heated Wire Circuit

Our circuit portfolio provides conventional non-heated wire circuits to suit your requirement in a variety of applications. We offer different sizes for adult, child and infant. Optional smoothbore (durable) or corrugated (disposable) tubing offers flexibility and convenience in hospital and long-term facilities. Our non-heated wire circuit is easy to use and incorporates two groups: Durable Silicone Circuits and Disposable EVA Circuits.

Durable Silicone Breathing Circuit

Designed for clinical flexibility with detachable connectors and tubing to fulfill different requirements. This can bring large convenience to clinical staffs.

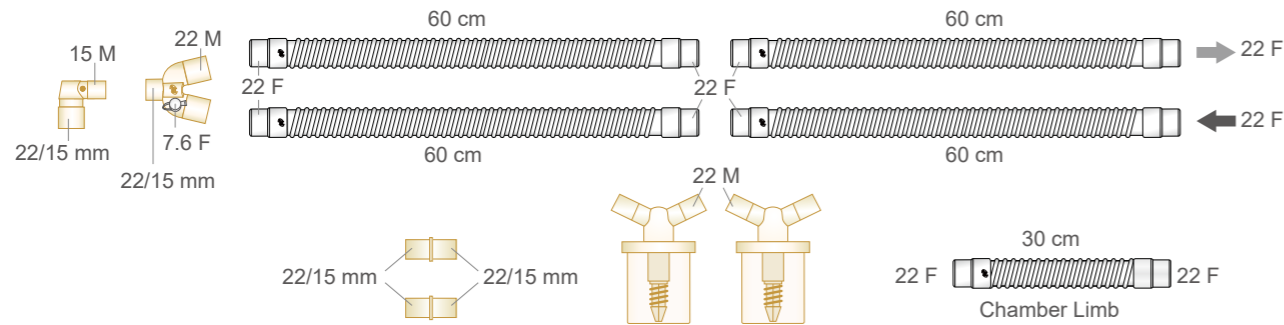
- Tubing cuff is designed for better grip.
- Smoothbore tubing is easy to clean and minimizes air turbulence in the circuit.
- Hook Ring is designed for hanging of tubes to allow air drying.
- Kink resistance ensures a smooth airflow for patient safety.



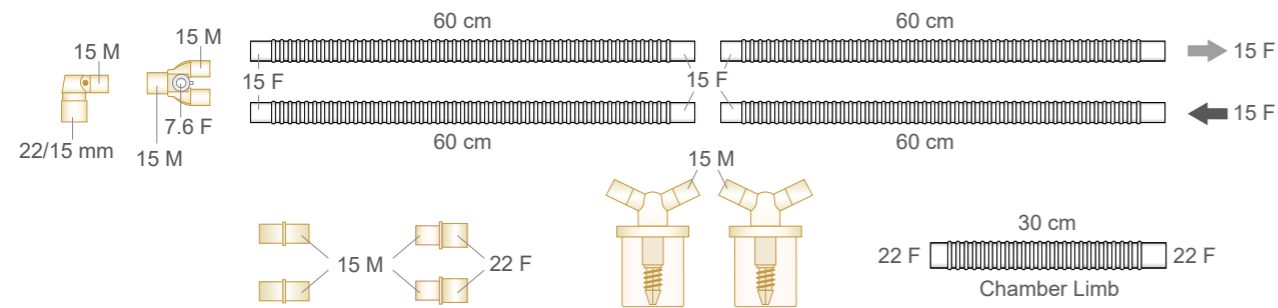
Durable Silicone Breathing Circuit without Water Trap

Durable Silicone Breathing Circuit

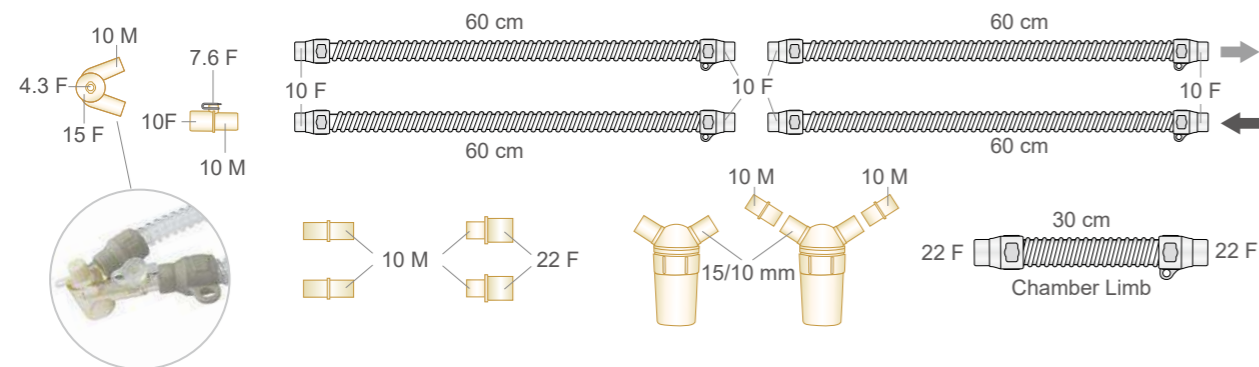
Aplus™ Adult Type



Slim-Cuff™ Child Type



Aplus™ Infant Type

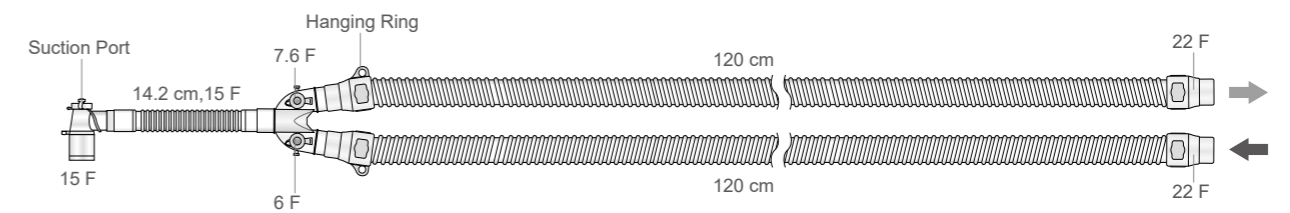


REF	Description	Application	QTY
AB0294	Silicone Circuit, Adult, 120 cm w/2WT	Adult	10 pcs/carton
AB0091	Silicone Circuit, Child 120 cm w/2WT	Child	10 pcs/carton
AB0089	Silicone Circuit, Infant 120 cm w/2WT	Infant	10 pcs/carton

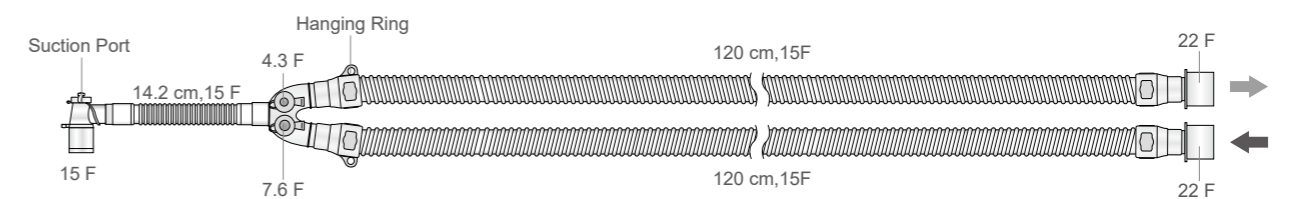
Durable Silicone Breathing Circuit without Water Trap

With HME and HMEF, it only requires a basic two-limb breathing system to fulfill passive humidification. We offer comprehensive ranges of smoothbore silicone breathing circuits, with adult, child and infant sizes.

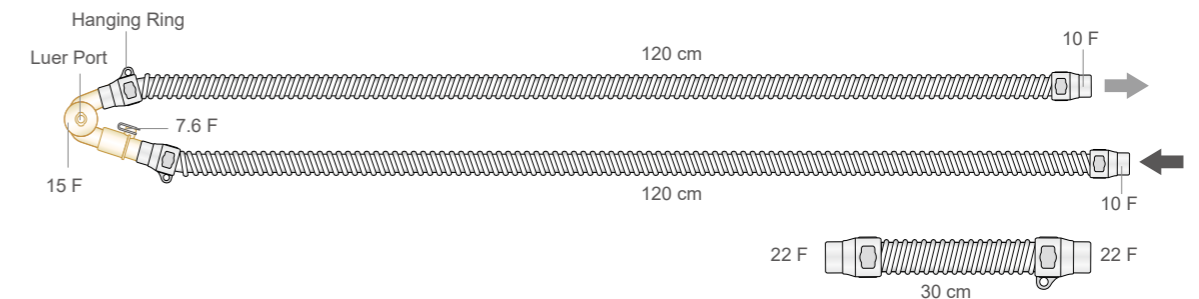
Adult Type



Child Type



Aplus™ Infant Type



REF	Description	Type	Catheter Mount	Accessory Limb	QTY
AB0040	Silicone Circuit, Adult, 120 cm	Adult	●	N/A	10 pcs/carton
AB0041	Silicone Anes Circuit, Child, 120 cm	Child	●	N/A	10 pcs/carton
AB0295	Silicone Circuit, Infant, 120 cm	Infant	N/A	●	10 pcs/carton

Hyrel Breathing Circuit

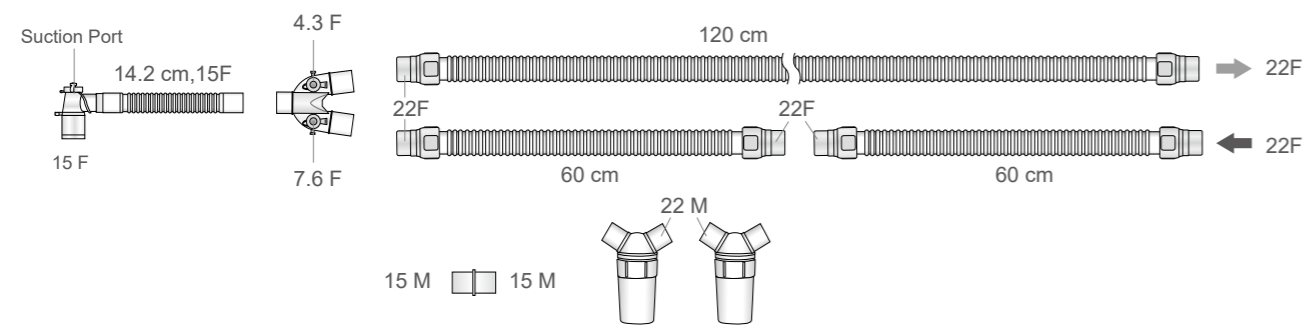


- Tubing cuff designed for better grip.
- Smoothbore tubing is easy to clean and minimizes air turbulence in the circuit.
- Kink resistance ensures a smooth airflow for patient safety.
- All parts autoclavable at 121°C for 30 cycles.

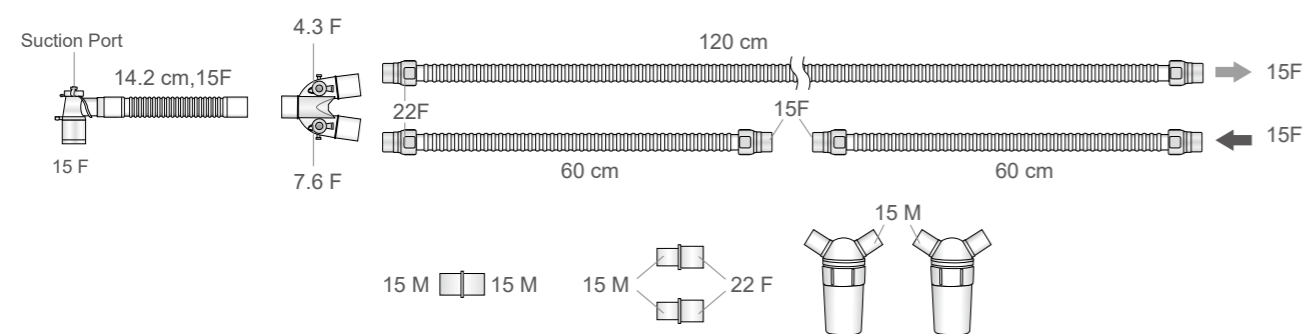


Smoothbore

Adult Type



Child Type



REF	Description	Elbow	Wye	Inhale	Exhale	Water Trap	QTY
AB0024	Hyrel Ckt, Adult, 120 cm w/2 Water Trap	22/15	22/15, 22M, 7.6F	60 cm x 2	60 cm x 2	22M x 2	15 pcs/carton
AB0025	Hyrel Circuit, Adult w/Water Trap	22/15	22/15, 22M, 7.6F	120 cm	60 cm x 2	22M x 1	15 pcs/carton
AB0026	Hyrel Ckt, Child, 120 cm w/2 Water Trap	22/15	15F, 15M	60 cm x 2	60 cm x 2	15M x 2	15 pcs/carton
AB0027	Hyrel Ckt, Child, 120 cm w/Water Trap	22/15	15F, 10M	120 cm	60 cm x 2	15M x 1	15 pcs/carton

Hyrel Breathing Circuit

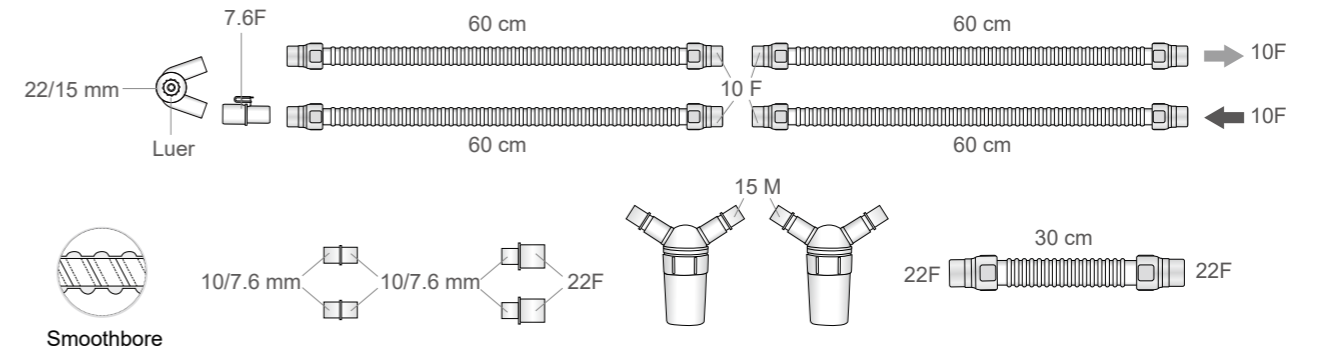


- Tubing cuff designed for better grip.
- Smoothbore tubing is easy to clean and minimizes air turbulence in the circuit.
- Kink resistance ensures a smooth airflow for patient safety.
- All parts autoclavable at 121°C for 30 cycles.



Smoothbore

Infant



REF	Description	Neo-Wye (w/ Leur)	Hyrel Tubing (10F cuff)			Water Trap	Connector
			Inhale	Exhale	Chamber		
AB0098	Hyrel Ckt, Infant	15F, 10M, Luer	120 cm	120 cm	30 cm	-	1 pcs
AB0099	Hyrel Ckt, Infant, w/2 Water Trap	15F, 10M, Luer	60 cm x 2	60cm x 2	30 cm	55 ml, 10M x 2	5 pcs

Package: 1 pkg/box, 10 boxes/ctn

Dimensions:

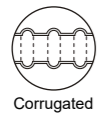
- 22 mm and 15 mm conform to ISO-5356-1
- Temperature port: 7.6F
- Pressure port: Luer conform to ISO-594-1
- Luer port conform to ISO-594-1

Optional Accessories:

- LDS catheter mount
- HME and HMEF
- NIV face mask
- Durable humidification chamber

Disposable EVA Circuit

The EVA Circuits are disposed of after use, providing a safe alternative to reusable circuits that may increase the risk of transmitting pathogens and contamination.



Corrugated



Economic Corrugated Interior

Ultra light circuit with good flexibility and low resistance can be easily arranged in clinical environments.



Functional 7.6 F Port

The functional port is compatible with temperature probes existing on the market.



Secure Elbow Connection

The elbow connector can firmly attach between the patient and ventilator as well as allow adjustments, which prevents accidental ventilator disconnection.

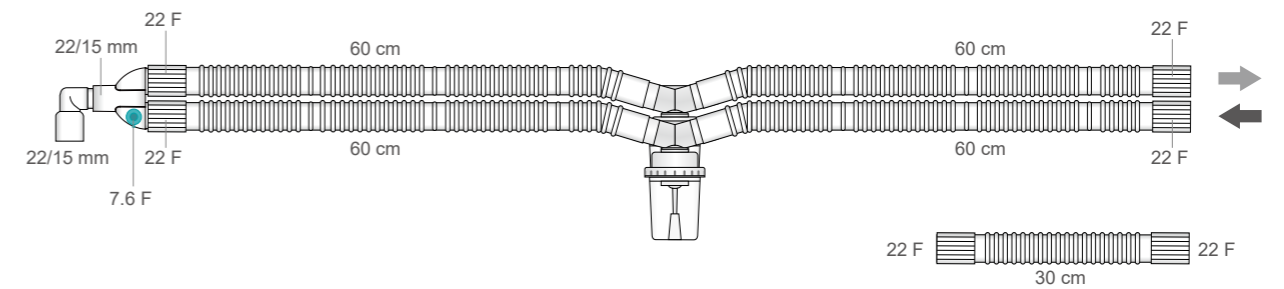


Pre-Attached Water Trap

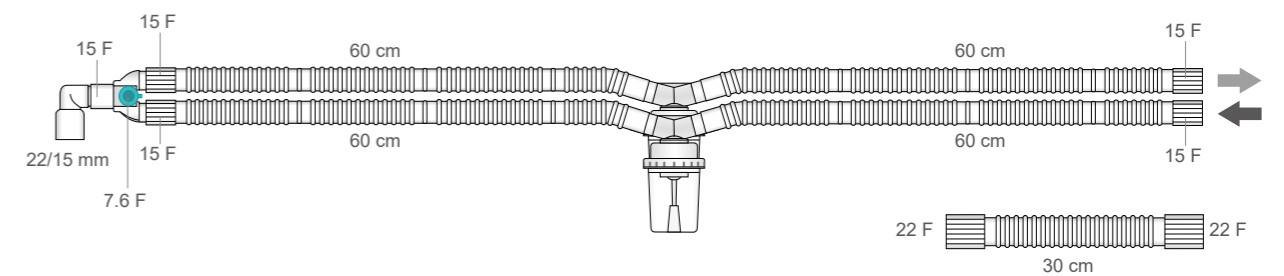
Reduce air leak and increase efficiency of condensate drainage.

Disposable EVA Circuit

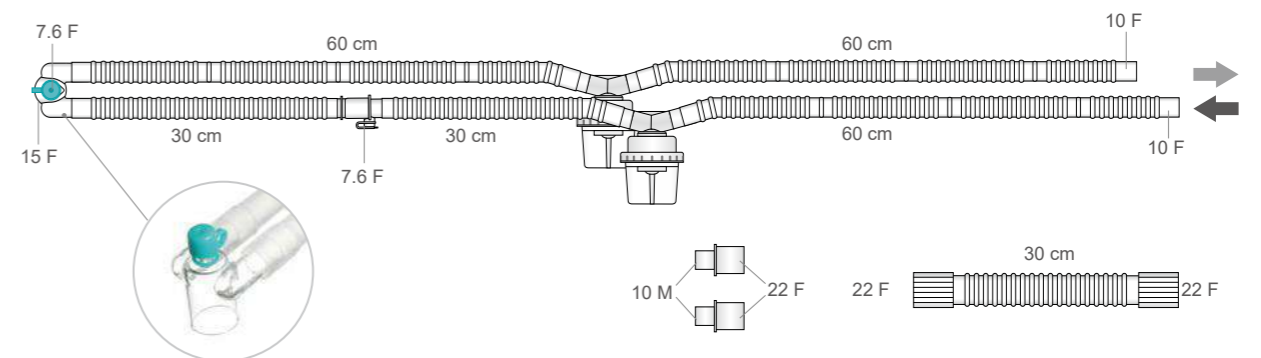
Adult Type



Child Type



Infant Type



REF	Description	Application	QTY
AB0316	EVA Circuit, Adult, 120 cm w/2WT	Adult	15 pcs/carton
AB0321	EVA Circuit, Child, 120 cm w/2WT	Child	15 pcs/carton
AB0071	EVA Circuit, Infant, 120 cm w/2WT	Infant	15 pcs/carton



Humidity Therapy - Active Humidification



Humi.AIDE™

Complete Solution for Humidification Therapy



- If proper humidification is denied chronically, not only will gas exchange be affected but also will the airway defense system be compromised because our cilia cells, despite being resistant to cold, heat, smoke and even infection, have one deadly weakness, and that is dryness.
- Humi.AIDE's humidification system provides solutions to the dryness. It generates heat and moisture to the air that is supplied to the patients, minimizing all possible complications.

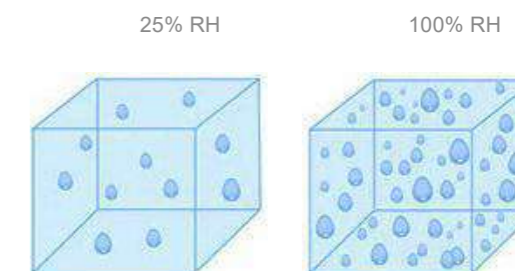
▼ Humidity

Absolute humidity (AH, mgH₂O/L)

The actual amount of water vapor in a given volume of air;
The weight per volume or as pound per 1,000 cubic feet.

Relative humidity (RH, %)

The amount of water vapor in the air, expressed as a percentage, of the maximum amount of water vapor that the air can hold at a given temperature; the ratio of actual water vapor pressure to the saturation vapor pressure.



▼ Humidity Therapy

- During mechanical ventilation and anesthesia, the air supplied to the patient is usually colder and drier than the regular air, which may result in poor gas exchange and poor inflation of the lung .
- Humidity Therapy is a method to artificially condition the gas used in respiration of a patient as a therapeutically modality.

	Temperature	Humidity (AH)
Isothermal Saturation Boundary (ISB)	37°C	44 mg/L
Medical O ₂ Gas	15°C	0.3 mg/L
Room temperature	22°C	7 mg/L
Oxygen therapy	ambient	16 mg/L
HME	25 ~ 30°C	17 ~ 32 mg/L
Heated humidifier	37°C	44 mg/L

Humi.AIDE™ 5D and 5A Humidifier

Humi.AIDE™ 5D and 5A Humidifiers are the ideal humidification choices for a non-heated wire breathing system. These are easy-to-use devices, especially for homecare and long-term care facilities. **Humi.AIDE™** 5D and 5A Humidifiers contain overheat protection to ensure patient safety. Various applications are depicted in figures A, B and C.



Humi.AIDE™ 5D

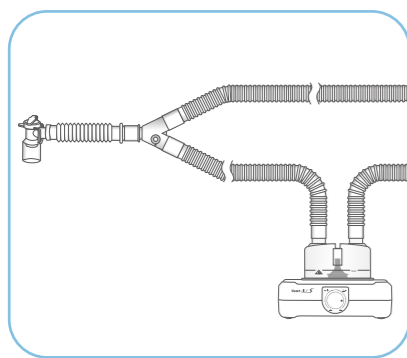
H5D Humidifier is a digital type to set up desired temperature. With optional temperature probe, H5D is available for temperature monitoring.



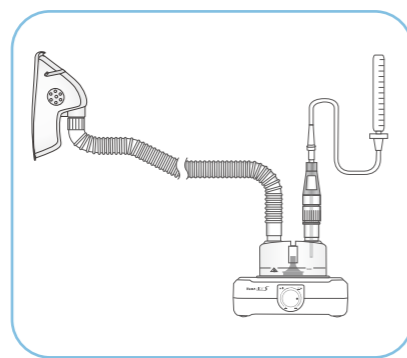
Humi.AIDE™ 5A

H5A humidifier is an analog type which is easy to use by simply adjusting the knob to the desired level.

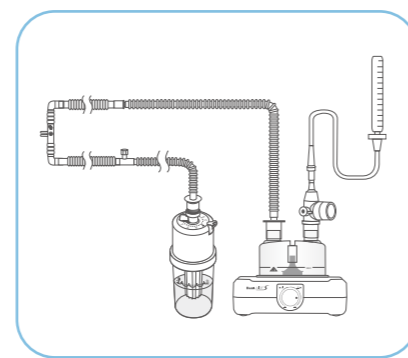
Application



A. Ventilator or NIV System



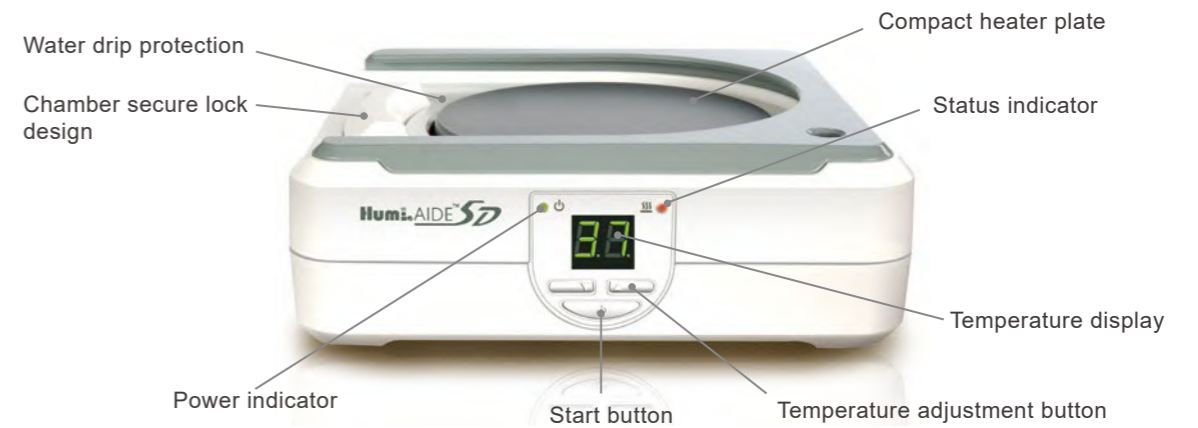
B. Oxygen Therapy



C. Bubble CPAP System

Humi.AIDE™ 5D and 5A Humidifier

Humi.AIDE™ 5D: Digital Type



REF	Description	Operating Voltage	Frequency	QTY
AQ0019	H5D Humidifier, 120 V	100-120 V AC	60 Hz	10 pcs/carton
AQ0020	H5D Humidifier, 240 V	220-240 V AC	50~60 Hz	10 pcs/carton
AQ0002	H5D Temperature Probe, 1.6 m (Accessories, not included in the set)			10 pcs/box

Humi.AIDE™ 5A: Analog Type



REF	Description	Operating Voltage	Frequency	QTY
AQ0017	H5A Humidifier, 120 V	100-120 V AC	60 Hz	10 pcs/carton
AQ0018	H5A Humidifier, 240 V	220-240 V AC	50~60 Hz	10 pcs/carton

Single Limb breathing circuit
Dual Limb breathing circuit
Humidity therapy - Active humidification
Sleep Therapy

Accessories
Filter / Tubing
Product Index
Symbols and Cleaning Instructions

Humidification Chamber-Manual Type

A complete active humidification breathing system contains a humidification chamber which conditions the medical gas by flowing the gas across the surface of warmed sterile water. Manual humidification chambers are the conventional design offering a cost effective choice for humidity therapy. The **Humi.AIDE™** manual humidification chambers consist of two options, Durable Type and Disposable Type, which can be used in intensive care units, long-term care facilities and home care.

Humi.AIDE™ Durable Type

Humi.AIDE™ Durable Chamber is a safe choice for the clinical environment that often requires reprocessing the chamber for multiple use.

Features:

- Water Fill Port: No need to remove chamber to refill.
- Safety Lock: Latch design and silicone ring to provide secure seal and prevent accidental spillage.
- 360° Viewable Water Line: Easy to monitor the water level from all angles.
- Maximum Fill Line: 350 ml.



REF	Description	Chamber Shell Material	QTY
AH0021	Durable Humidification Chamber, Adult	PSF	12 pcs/carton

Aplus™ Disposable Type

Humi.AIDE™ Disposable Humidification Chamber is a single-use device. It is a convenient option to manually control water level for adult patients.

Features:

- 360° Viewable Water Line: Easy to monitor the water level from all angles.
- Less Heating Time: Lower water level and greater heater contact.
- Water Fill Line: 250 ml.



REF	Description	QTY
AH0036	Disposable Humidification Chamber, Adult	12 pcs/carton

Humidification Chamber-Auto Feeding Type

Auto-feeding type of humidification chamber is an upgrade design to improve the quality of respiratory care. The **Humi.AIDE™** Auto Chamber features a sensitive auto-filling mechanism for accurate water level control, allowing sterile water to automatically fill into the chamber without interruption of flow and ventilation. It saves time for clinician who requires monitoring the condition frequently and reducing the risk of contamination.

360° · Visible Maximum Water Level Indicator

Make it easier to monitor the water level from all angles.

Faster Heating

Lower water level needed and larger contact surface for heating to reduce heating time.

Multi-Functional Cap

Minimize displacement of dust-proof cap and provide tubing storage solution.

Float-Valve Mechanism

The water level is maintained with a float valve that closes the water inlet when the optimal level is reached.



Adult Type

- Water Feeding Volume: 53 to 130 ml (minimum to maximum).
- Stop Force for Feeding Device: 130 ml.
- IV Tubing Length: 97 cm or 120 cm.



Infant Type

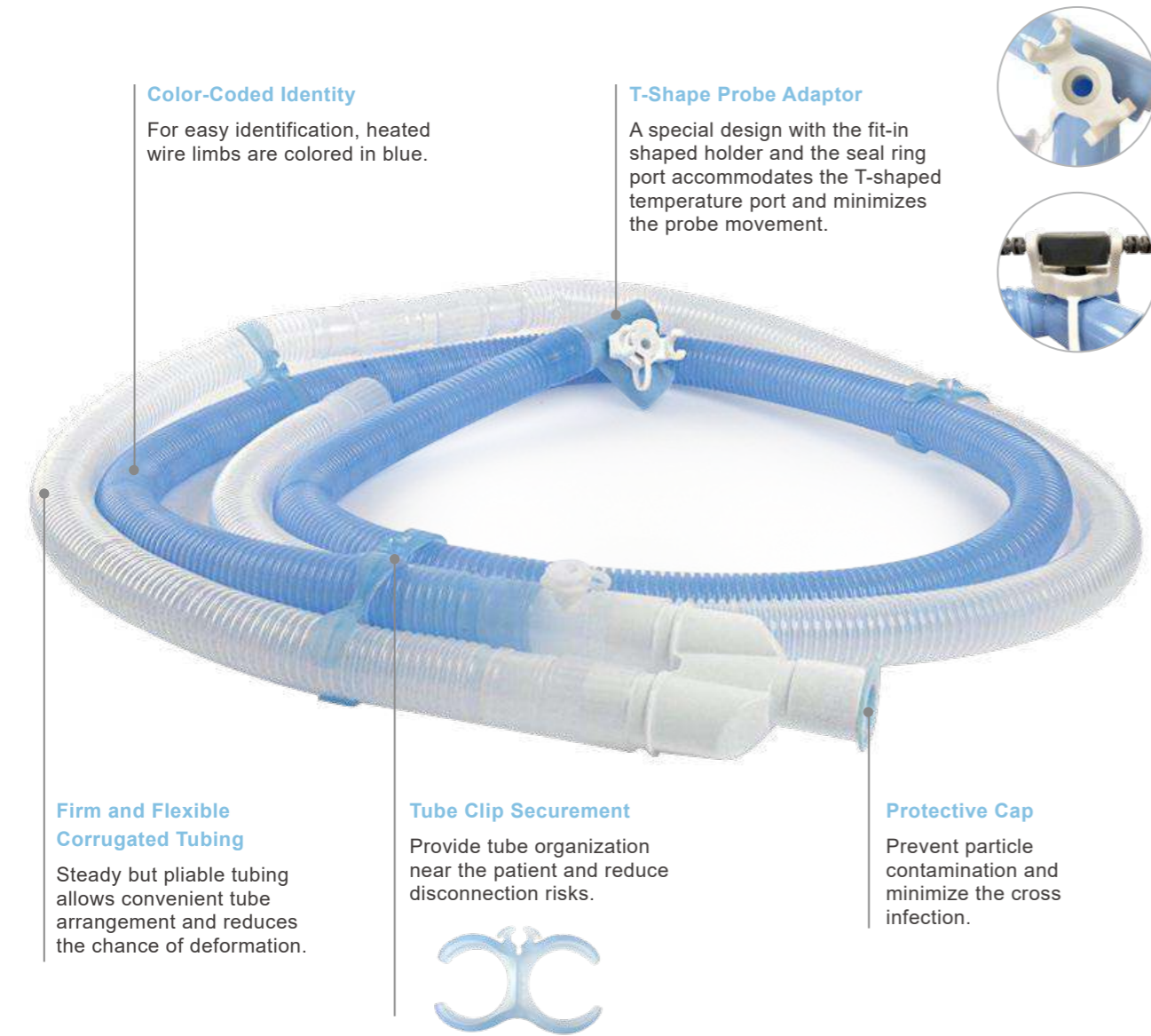
- Lower Chamber Volume: Designed for neonates. Reduce dead space and resistance.
- Water Feeding Volume: 53 to 130 ml (minimum to maximum).
- Stop Force for Feeding Device: 130ml.
- IV Tubing Length: 120 cm.



REF	Description	Application	Fill Line Length	QTY
AH0037	Auto Chamber, Adult	Adult	120 cm	12 pcs/carton
AH0001	Auto Chamber, Adult	Adult	97 cm	12 pcs/carton
AH0038	Auto Chamber, Infant	Infant	120 cm	12 pcs/carton

Humi.AIDE™ Heated Wire Circuit

We offer diameter 22 mm I.D. (Adult) and 13 mm I.D. (Infant) **Humi.AIDE™** heated wire circuits for active humidification. **Humi.AIDE™** heated wire circuits contain wire-configured electrical heating elements to ensure inspiratory gases to be heated to 38~40°C without cooling down to 37°C before reaching patients' respiratory system, minimizing water condensation in the circuit. **Humi.AIDE™** heated wire circuits are compatible with the majority of humidifier base units found in intensive care areas.



Color-Coded Identity

For easy identification, heated wire limbs are colored in blue.

T-Shape Probe Adaptor

A special design with the fit-in shaped holder and the seal ring port accommodates the T-shaped temperature port and minimizes the probe movement.

Firm and Flexible Corrugated Tubing

Steady but pliable tubing allows convenient tube arrangement and reduces the chance of deformation.

Tube Clip Securement

Provide tube organization near the patient and reduce disconnection risks.

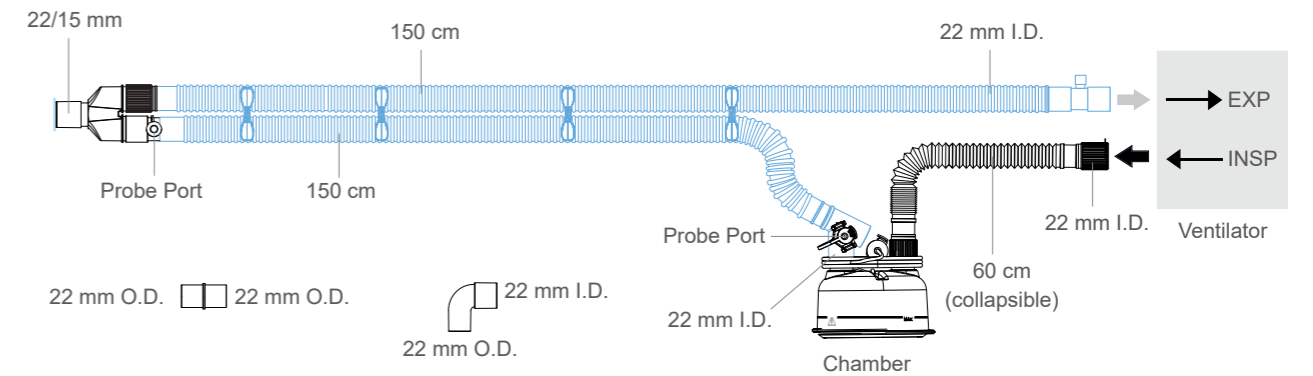
Protective Cap

Prevent particle contamination and minimize the cross infection.

Spiral-Configured Heated Wire

High-quality, spiral-shaped, and elongated heated wire element evenly heats the gases with maximum contact area. The spiral-shaped heated wire causes lower tube resistance for patient safety.

Adult Dual Limb Heated Wire Circuit

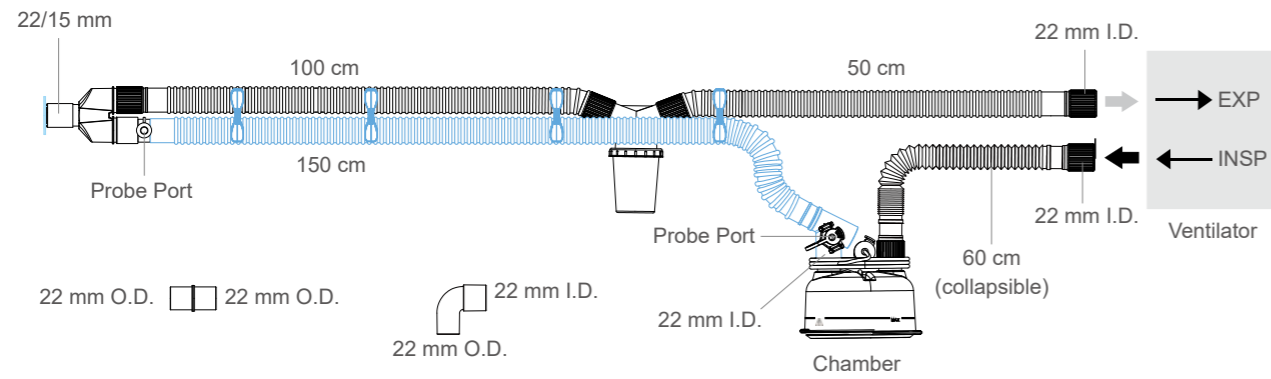


The Adult Dual Limb Heated Wire Circuit is equipped with heated wires in both inspiratory and expiratory limbs, and the inspiratory limb accepts a humidifier and proximal airway temperature probe.

The circuit is designed for both invasive mechanical ventilation (IMV) and non-invasive ventilation (NIV), and it's available with or without a humidification chamber.

REF	Description	Chamber	QTY
AH0019	HW2 Circuit, Adult	N/A	10 pcs/carton
AH0020	HW2 Circuit, Adult w/Chamber	●	10 pcs/carton
AH0051	HW2 Circuit, Adult w/Chamber	●	10 pcs/carton
AH0054	HW2 Circuit, Adult	N/A	10 pcs/carton

Adult Single Limb Heated Wire Circuit

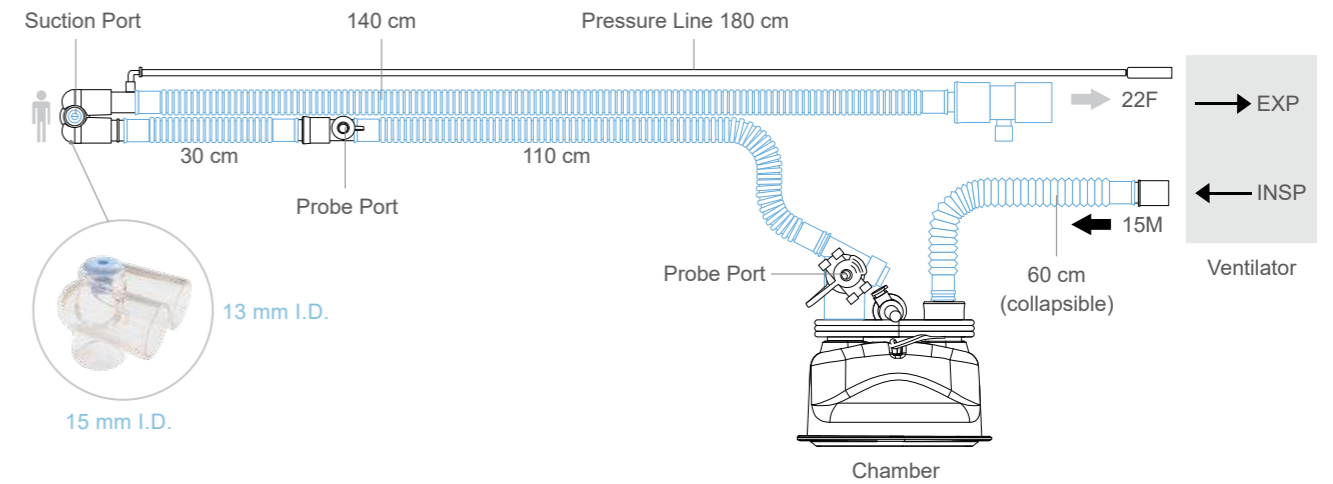


The Adult Single Limb Heated Wire Circuit is equipped with a heated wire in inspiratory limb, which accepts a humidifier and proximal airway temperature probe.

The circuit can be used with both invasive mechanical ventilation (IMV) and non-invasive ventilation (NIV), and it's available with or without a humidification chamber.

REF	Description	Chamber	QTY
AH0017	HW1 Circuit, Adult w/WT	N/A	10 pcs/carton
AH0018	HW1 Circuit, Adult w/WT, Chamber	●	10 pcs/carton

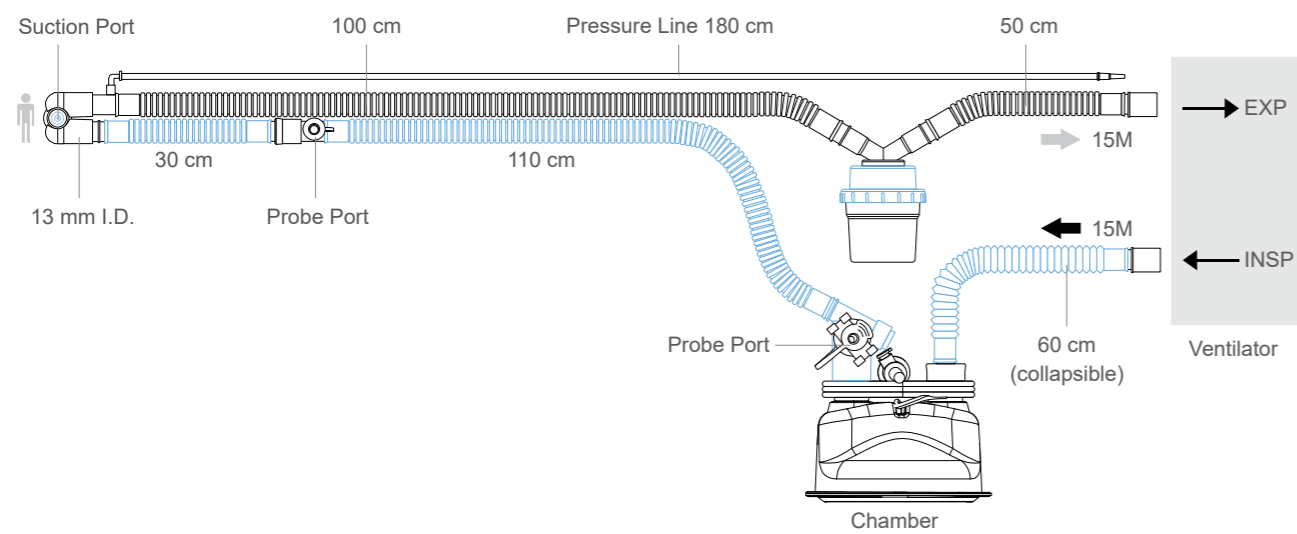
Infant Dual Limb Heated Wire Circuit



The Infant Dual Limb Heated Wire Circuit is equipped with heated wires in both inspiratory and expiratory limbs, and it is intended for use with invasive mechanical ventilation (IMV) or non-invasive ventilation (NIV). With 10 mm I.D. connectors and wye connector, the Dual Limb Heated Wire Circuit is available for connection of **Babi.Plus™** nCPAP prongs or other applicable products. The Infant Dual Limb Heated Wire Circuits are available with or without a humidification chamber.

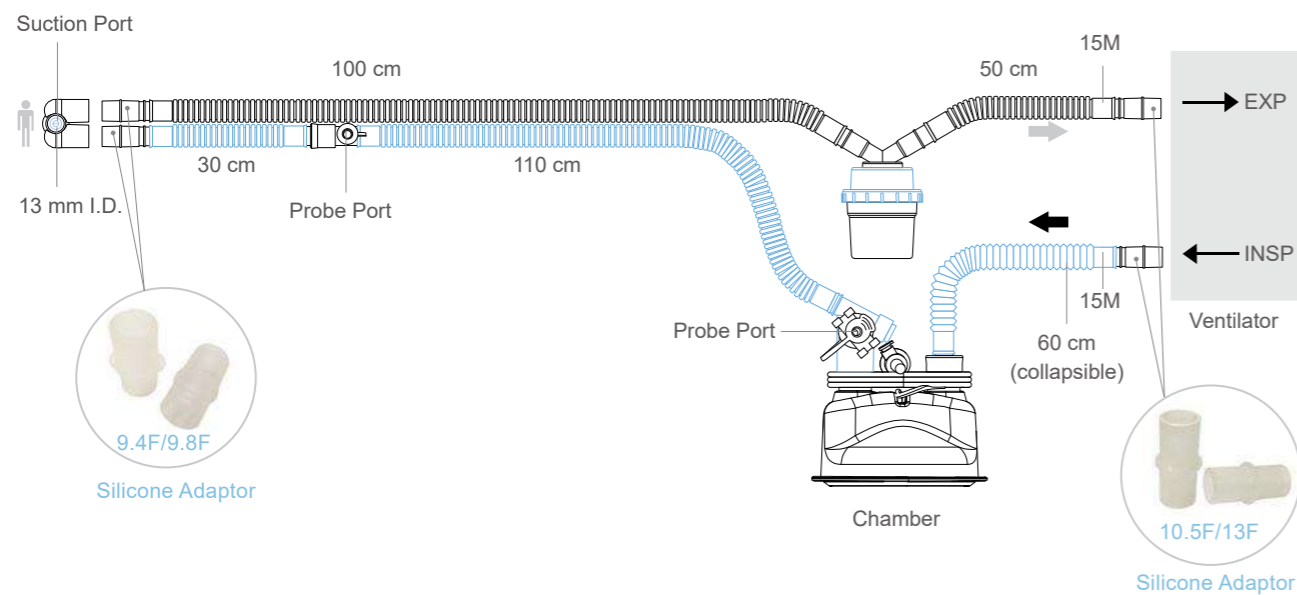
REF	Description	Chamber	QTY
AH0015	HW2 Circuit, Infant	N/A	10 pcs/carton
AH0016	HW2 Circuit, Infant w/Chamber	●	10 pcs/carton

Infant Single Limb Heated Wire Circuit



Standard Type

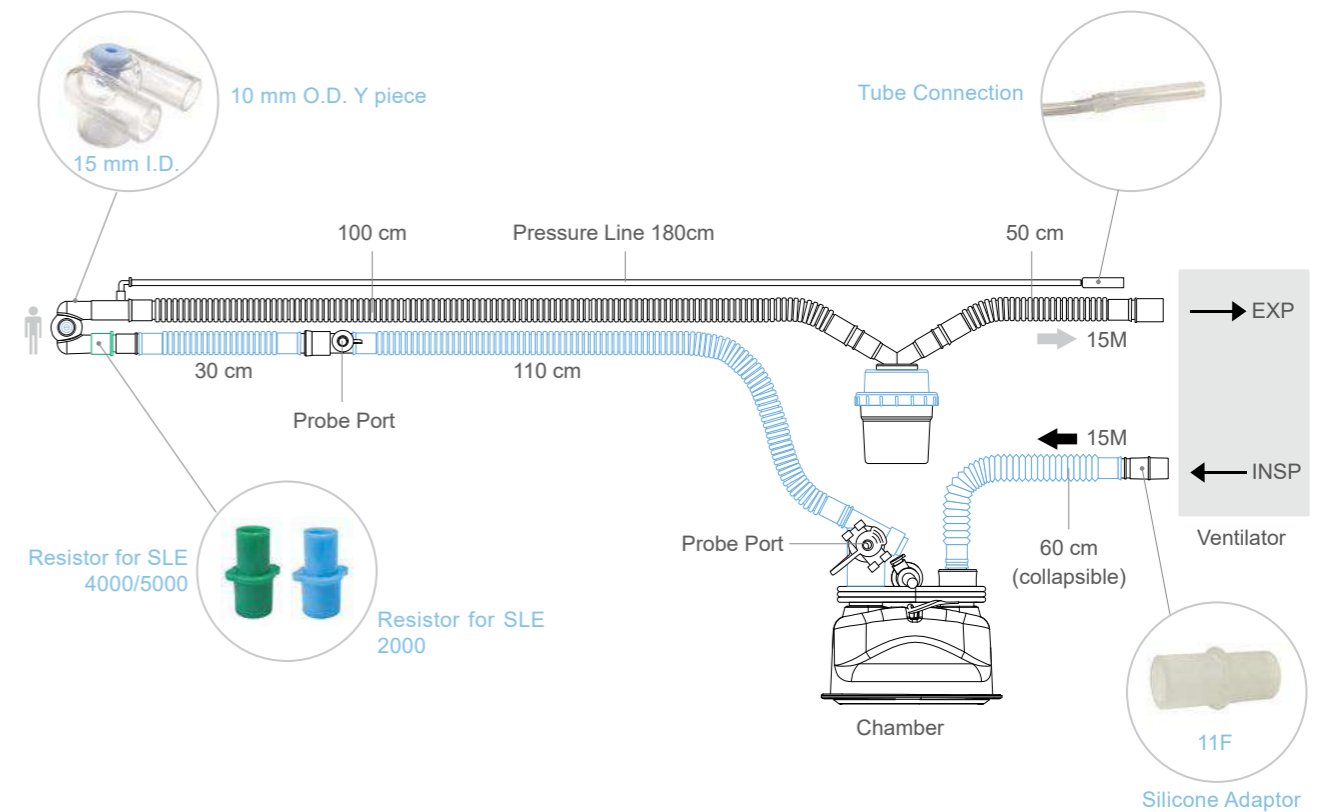
The Infant Single Limb Heated Wire Circuit (Standard Type) is equipped with a heated wire in inspiratory limb, and it is intended for use with invasive mechanical (IMV) or non-invasive ventilation (NIV). With 10 mm I.D. connectors and wye connector, the Infant Single Limb Heated Wire Circuit (Standard Type) is available for connection of the **Babi.Plus™** nCPAP prongs or other applicable products. The Infant Single Limb Heated Wire Circuits are available with or without a humidification chamber.



Dräger™ Type (DR Type)

The DR Type circuit is designed for use on **Dräger™** ventilator. The DR Type circuit contains all silicone adaptors. The pressure line is excluded as a result of the ventilator design.

Infant Single Limb Heated Wire Circuit



SLE Type

The SLE Type circuit is designed for use on SLE ventilator. The SLE Type circuit contains adaptors and a resistor.

REF	Description	Application	Chamber	QTY
AH0011	HW1 Circuit, Infant w/WT	Standard	N/A	10 pcs/carton
AH0012	HW1 Circuit, Infant w/WT, Chamber	Standard	●	10 pcs/carton
AH0063	HW1 Circuit, Infant for DR	Dräger Babylog	N/A	10 pcs/carton
AH0013	HW1 Circuit, Infant w/Chamber for DR	Dräger Babylog	●	10 pcs/carton
AH0064	HW1 Circuit, Infant for SLE	SLE 4000/5000	N/A	10 pcs/carton
AH0014	HW1 Circuit, Infant w/Chamber for SLE	SLE 4000/5000	●	10 pcs/carton
AH0070	HW1 Circuit, Infant, SLE	SLE 2000	●	10 pcs/carton



Sleep Therapy



What is Sleep Apnea?

Sleep apnea is a sleep disorder in which recurrent episodes of shallow breathing or cessation of airflow occur during sleep.

There are 3 types of sleep apnea, namely central, obstructive and mixed pattern.

Obstructive sleep apnea (OSA) is the most common form of sleep apnea and occurs when the airway becomes narrow or blocked whilst you are sleeping. Breathing is interrupted by upper airway occlusion despite respiratory effort and snoring is a common sign.



Untreated sleep apnea can lead to many health problems, such as sleep fragmentation, excessive daytime sleepiness and even heart disease. All these events may result in a detrimental effect on your quality of life. At present, approaches in treating OSA include lifestyle changes, surgery, continuous positive airway pressure (CPAP), or other devices. However, CPAP remains as the more commonly used and recommended treatment option.

Susceptible?

People with the following characteristics are at higher risk for OSA

- Male
- Overweight
- Over the age of 65
- Smaller or narrow airways
- Enlarged tonsil tissues
- Thick neck circumference
- Smoker
- Excess alcohol consumption



CPAP Therapy

Continuous Positive Airway Pressure (CPAP) therapy is the most recommended treatment for OSA. This form of treatment requires users to wear a mask that fits nicely over the nose and/or mouth during sleep, while a CPAP machine continuously blows a steady stream of air into the airway to keep it open, ensuring an adequate amount of oxygen delivered into the lungs.

CPAP Mask

Finding the right CPAP mask is a crucial issue related to the efficiency of CPAP therapy. A desirable interface for CPAP users depends heavily on the careful consideration of multiple factors, from the weight of the mask to the noise of the CPAP equipment. Our product range is designed with maximum flexibility and ultra lightweight materials selected to minimize any disturbances.

DeZire™ CPAP-DL Face Mask



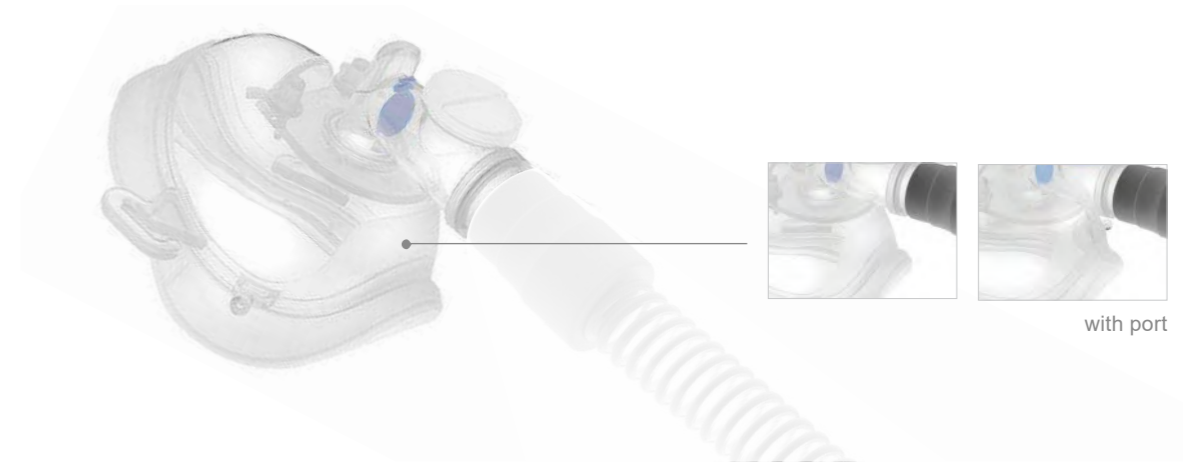
- Built-in Anti-asphyxia valve with 22 mm double swivel connector.
- Dual layer soft silicone cushion for better comfort and seal.
- Low flow resistance.
- Quick-release headgear fastener for easy fitting.
- Ports for CO₂ or pressure monitoring.

- AM0054** CPAP-DL face Mask, L
- AM0055** CPAP-DL Face Mask, M
- AM0056** CPAP-DL Face Mask, S

- AM0057** CPAP-SL Mask, L
- AM0058** CPAP-SL Mask, M
- AM0059** CPAP-SL Mask, S

Package: 20 pcs/box

DeZire™ Bi-level CPAP-DL Face Mask

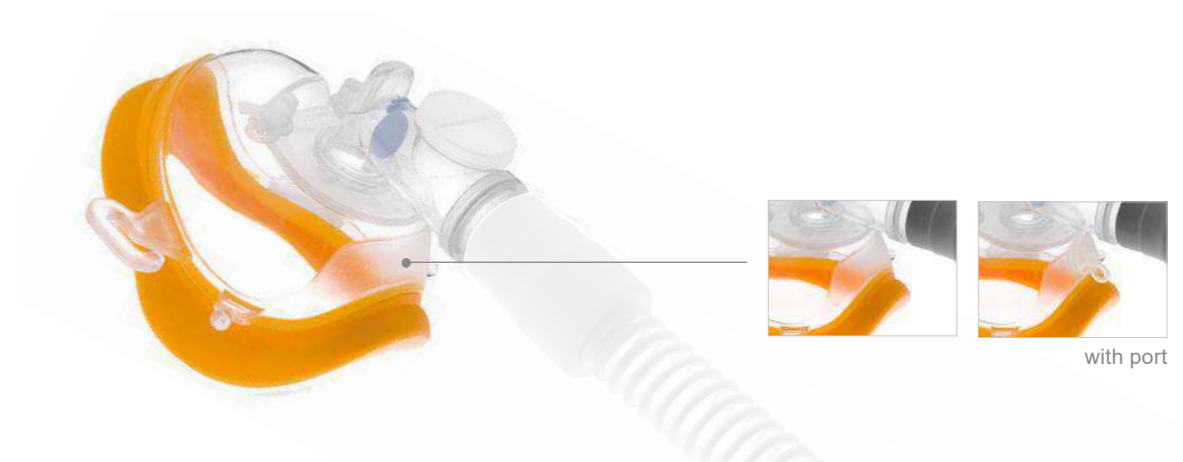


- Lightweight and ergonomic full face mask for bi-level application.
- Dual layer cushion to minimize air leaks and distributes surface area pressure for greater comfort.
- Anti-asphyxia valve and swivel adaptor for improved safety and flexibility.
- Ports for CO₂ or pressure monitoring and port for nasogastric or suction tube.

- AM0044** Bi-level CPAP-DL Face Mask, L
- AM0045** Bi-level CPAP-DL Face Mask, M
- AM0046** Bi-level CPAP-DL Face Mask w/port, L
- AM0047** Bi-level CPAP-DL Face Mask w/port, M

Package: 20 pcs/box

DeZire™ Bi-level CPAP Face Mask



- Lightweight and ergonomic full face mask for bi-level application.
- Single layer cushion to minimize air leaks and distributes surface area pressure for greater comfort.
- Anti-asphyxia valve and swivel adaptor for improved safety and flexibility.
- Ports for CO₂ or pressure monitoring and port for nasogastric or suction tube.

- AM0048** Bi-level CPAP Mask, L
- AM0049** Bi-level CPAP Mask, M
- AM0050** Bi-level CPAP Mask, S
- AM0051** Bi-level CPAP Mask w/Port, L
- AM0052** Bi-level CPAP Mask w/Port, M
- AM0053** Bi-level CPAP Mask w/Port, S

Package: 20 pcs/box

DeZire™ ePAP Face Mask



- Lightweight and ergonomic full face for ePAP.
- Single layer cushion to minimize air leaks and distributes surface area pressure for greater comfort.
- Pressure spring valve setting of 7.5, 10 and 12.5 cmH₂O to maintain PEEP.
- Anti-asphyxia valve and swivel adaptor for improved safety and flexibility.
- Ports for CO₂ or pressure monitoring.

AM0060 ePAP face Mask, L
AM0061 ePAP face Mask, S

Package: 20 pcs/box

DeZire™ SL NIV Mask



- Lightweight and ergonomic full face mask for NIV.
- Single layer cushion to minimize air leaks.
- The soft cushion also distributes surface area pressure for greater comfort.
- Each mask includes a headgear.

AM0073 SL NIV Mask, L
AM0074 SL NIV Mask, M
AM0075 SL NIV Mask, S
AM0076 SL NIV Mask with Port, L
AM0077 SL NIV Mask with Port, M
AM0078 SL NIV Mask with Port, S

Package: 20 pcs/box

NIV-DL Face Mask



- Lightweight and ergonomic full face mask for NIV.
- Single layer cushion to minimize air leaks.
- The soft cushion also distributes surface area pressure for greater comfort.
- Each mask includes a headgear.

AM0068 NIV-DL Mask, L
AM0069 NIV-DL Mask, M
AM0070 NIV-DL Mask, L
AM0071 NIV-DL Mask w/port, M
AM0072 NIV-DL Mask w/port, S

Package: 20 pcs/box

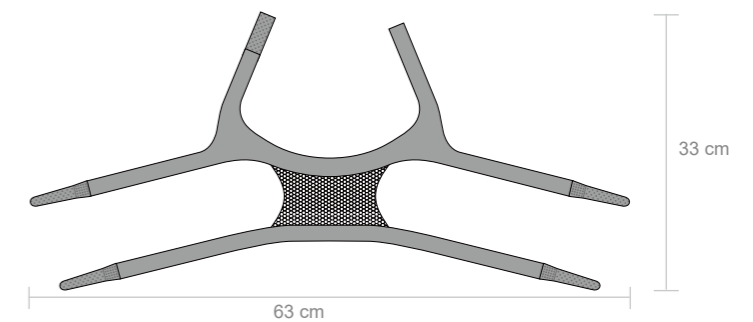
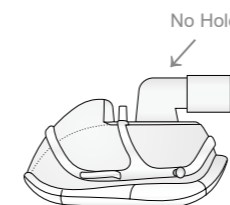
NIV Face Mask



- Designed for NIV and CPAP.
- Full-face design which covers mouth and nose is able to provide effective therapy, even for mouth breathing.
- Double swivel design provides more flexibility and comfort for patient during sleep.
- Soft silicone cushion for better comfort and seal.
- Easy-release strap and crown provides extra comfort while securing the mask without a chin strap.
- Easy one-step removal of headgear makes the process quick and comfortable.

AM0001 NIV Mask, L
AM0002 NIV Mask, M
AM0003 NIV Mask, S
AM0116 NIV Mask, L w/Headgear
AM0119 NIV Mask, M w/Headgear

Package: 12 pcs/box



Headgear



REF	Description	Type	QTY
AM0079	Headgear for Nasal Mask, White	Disposable	50 pcs/box
AM0080	Headgear for CPAP Mask, White	Disposable	50 pcs/box



REF	Description	Type	QTY
AM0118	Headgear for Nasal Mask	Durable	50 pcs/box
AM0081	Headgear for CPAP Mask	Durable	50 pcs/box

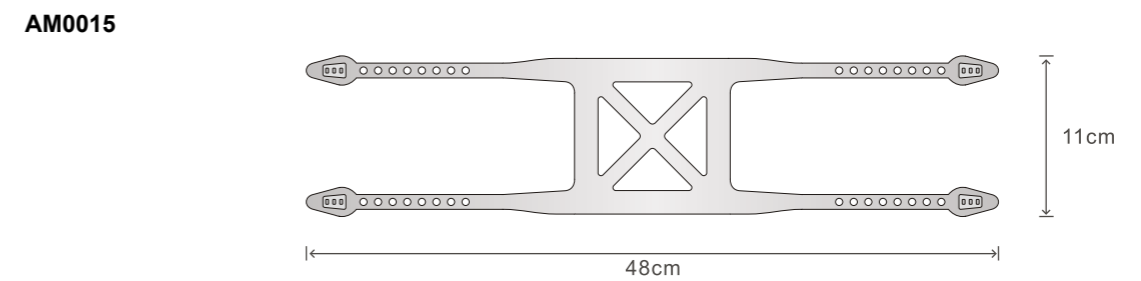
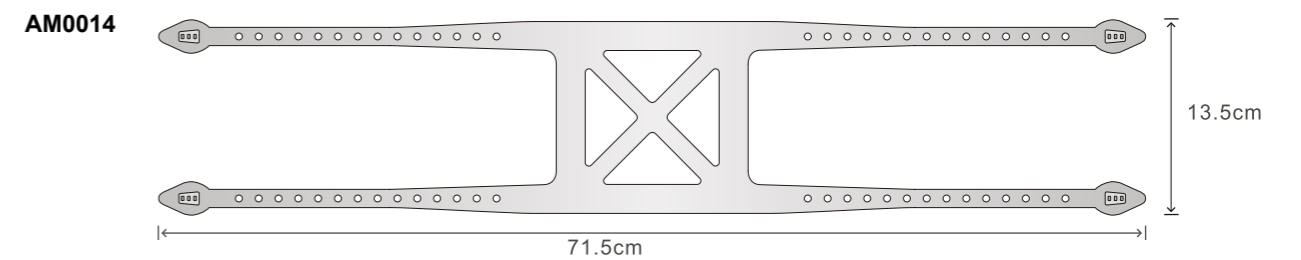
Headgear



- Lightweight and ergonomic full face for ePAP.
- Single layer cushion to minimize air leaks and distributes surface area pressure for greater comfort.
- Pressure spring valve setting of 7.5, 10 and 12.5 cmH₂O to maintain PEEP.
- Anti-asphyxia valve and swivel adaptor for improved safety and flexibility.
- Ports for CO₂ or pressure monitoring.

AM0014 Headgear for CPAP Mask, L, Silicone
 AM0015 Headgear for CPAP Mask, S, Silicone

Package: 100 pcs/box



Single Limb breathing circuit
 Dual Limb breathing circuit
 Humidity therapy - Active humidification
 Sleep Therapy

Accessories
 Filter / Tubing
 Product Index
 Symbols and Cleaning Instructions

Catheter Mount

A Catheter Mount provides extensions and airway connectors to make it easier for patient positioning, reducing unexpected ventilator disconnection and freeing caregivers from continuous monitoring.

A catheter mount is made of three major parts, (1) patient connector (elbow or straight connectors), (2) extension tubing and (3) circuit connectors.

We offer a wide range of catheter mounts which are available with either Durable or Disposable tubing with a variety of elbows and connectors.



Patient Connector
(with Double Flip-Top Cap)

Patient connector functions as a key bridge between patients and the circuit. We offer three types of patient connectors.

- Swivel Elbow: We offer single-swivel (durable) and double-swivel elbow (durable and disposable). Optional suction port and double flip-top cap, maintain PEEP during suction or bronchoscopy.
- Fixed Elbow: Fixed Elbow: Provide firm connections. The optional Luer port allows pressure or gas monitoring.
- Straight connection: Designed for special position use. Available with fixed and swivel type.



Tubing

Three types of tubing for your choice:

- Durable smooth bore silicone tubing: Made of durable silicone material. Smooth bore design minimizes tube resistance and water accumulation.
- Collapsible EVA tubing: Provide tube length adjustment to fulfill patient comfort.
- EVA Flex tube: Feature with light weight corrugate tube. Reduce the chance of obstruction caused by tube kinking.

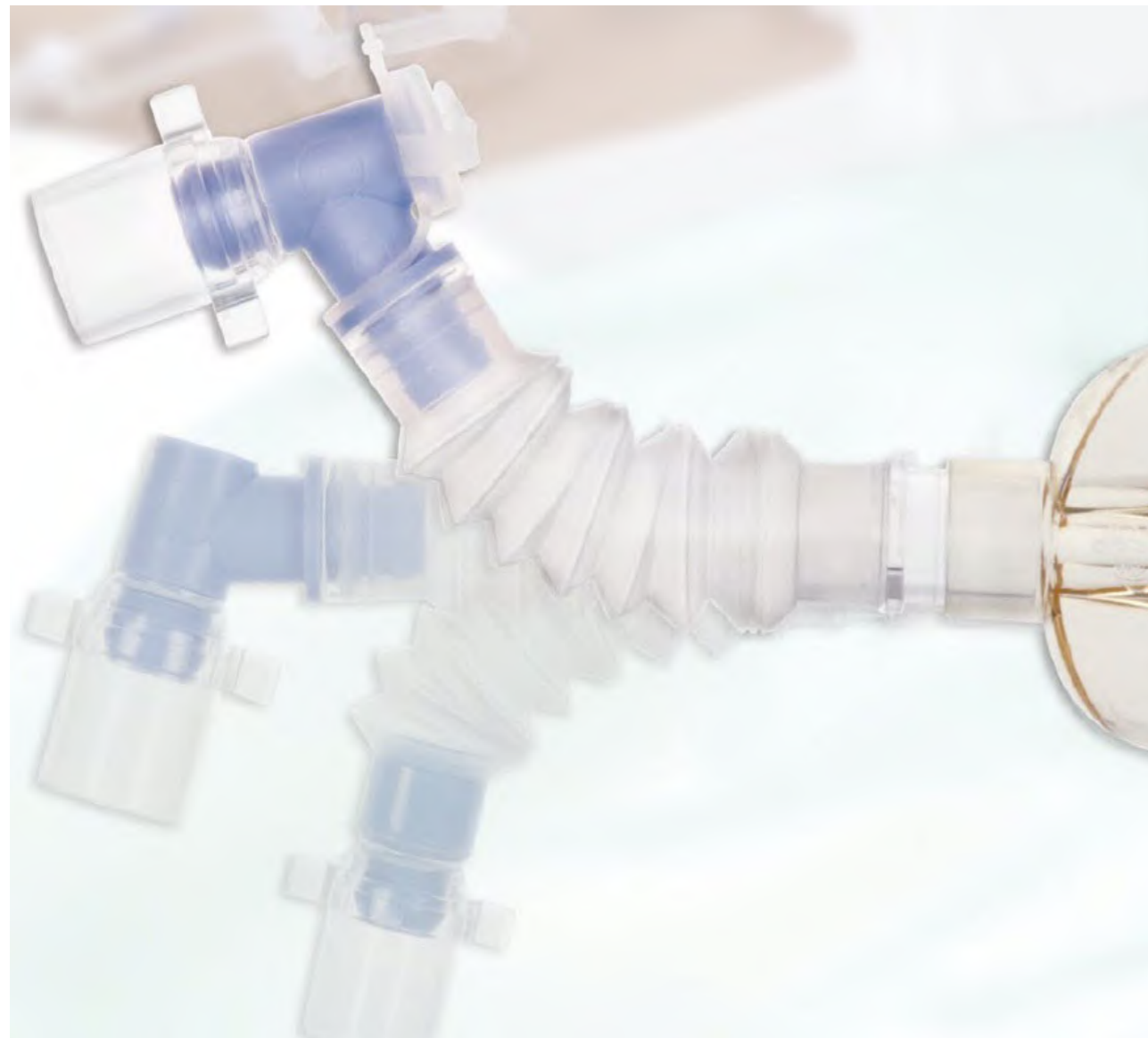


Circuit Connector

Three connector sizes of catheter mount are offered:

- 15M, 22/15 mm and 22F

Accessories

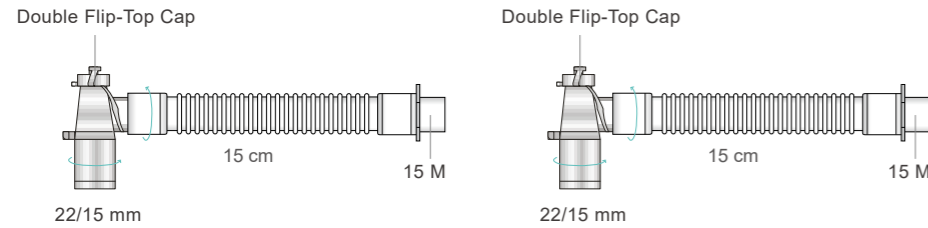


Catheter Mount

- Flexible and soft silicone tubing.
- 360° swivel connector designed for more flexibility.
- 15M port with cap for suction or insertion of other functional tubes.



Durable Silicone Smooth Bore Catheter Mount (Double Swivel Elbow & Double Flip-Top Cap)



REF	Description	Circuit Connection	QTY
AB0147	Silicone Catheter Mount, 15M, PSF	15M	25 pcs/box
AB0145	Sil.Flex Catheter Mount, 15F, 15M, PC	15M	25 pcs/box
AB0144	Sil.Flex Catheter Mount, 22/15 mm, 15M	22/15 mm	25 pcs/box
AB0143	Sil.Flex Catheter Mount, 22/15 mm, 22F	22F	25 pcs/box



REF	Description	Circuit Connection	QTY
AT0066	Silicone Catheter mount, 14cm	15M	150 pcs/carton



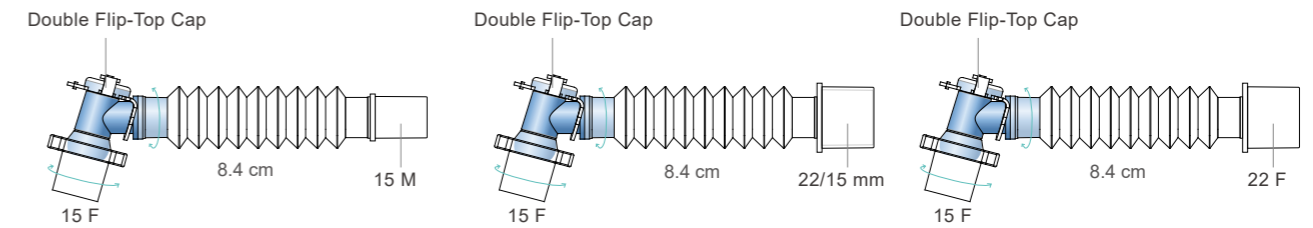
- AB0133 Silicone Flex Tube, 14 cm, 10F, 10F
- AB0134 Silicone Flex Tube, 14 cm, 15F, 15F
- AB0135 Silicone Flex Tube, 13 cm, 22F, 15F
- AB0136 Silicone Flex Tube, 14 cm, 22F, 10F

Package: 200 pcs/box

Catheter Mount

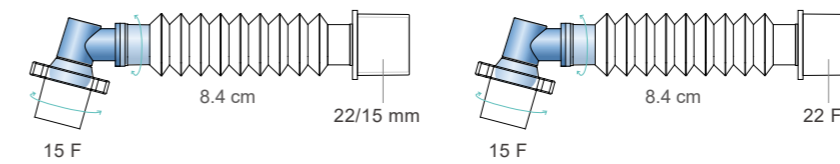
LDS Catheter Mount is designed with a 8.4 cm collapsible EVA tubing. Minimized dead space to provide high-quality patient comfort.

LDS Disposable Collapsible Catheter Mount (Double Swivel Elbow & Double Flip-Top Cap)



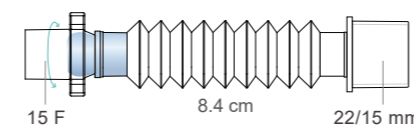
REF	Description	Circuit Connection	QTY
AB0049	LDS1 Catheter Mount, SL15F, 15M	15M	50 pcs/box
AB0050	LDS1 Catheter Mount, SL15F, 22/15 mm	22/15 mm	50 pcs/box
AB0032	LDS1 Catheter Mount, SL15F, 22F	22F	50 pcs/box

LDS Disposable Collapsible Catheter Mount (Double Swivel Elbow)



REF	Description	Circuit Connection	QTY
AB0047	LDS2 Catheter Mount, L15F, 22/15	22/15 mm	50 pcs/box
AB0048	LDS2 Catheter Mount, L15F, 22F	22 F	50 pcs/box

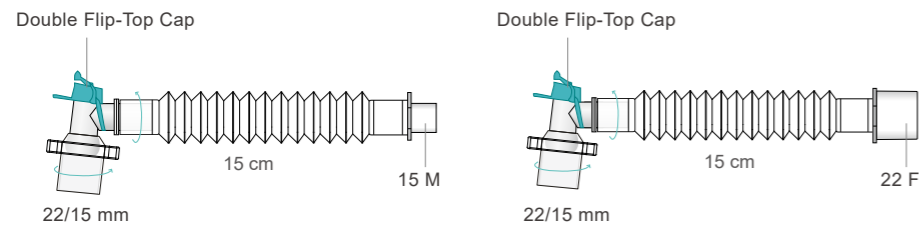
LDS Disposable Collapsible Catheter Mount (Swivel Straight Connection)



REF	Description	Circuit Connection	QTY
AB0045	LDS3 Catheter Mount, 15F, 22/15	22/15 mm	50 pcs/box

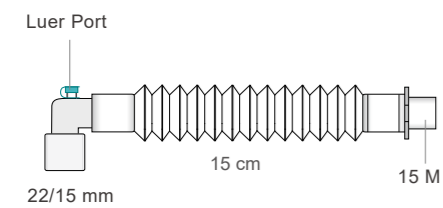
Catheter Mount

Disposable Collapsible Catheter Mount (Double Swivel Elbow & Double Flip-Top Cap)



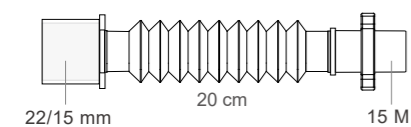
REF	Description	Circuit Connection	QTY
AB0258	Catheter mount, 15 cm, 15M	15M	100 pcs/carton
AB0193	EVA Catheter Mount, 15 cm, 22F	22F	100 pcs/carton

Disposable Collapsible Catheter Mount (Fixed Elbow With Luer Port)



REF	Description	Circuit Connection	QTY
AB0318	EVA Catheter mount, 15 cm, L22/15 mm, 15M	15M	100 pcs/carton

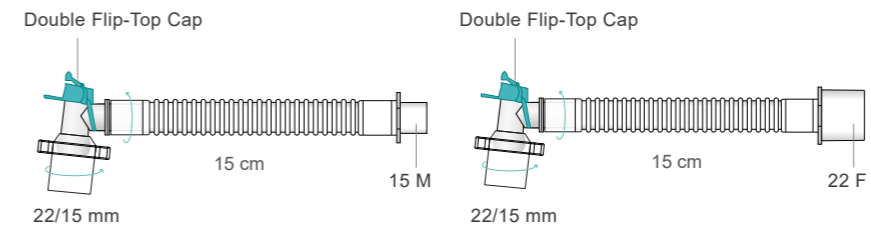
Disposable Collapsible Catheter Mount (Fixed Straight Connection)



REF	Description	Circuit Connection	QTY
AB0256	Catheter Mount, 20 cm, 22/15 mm, 15M	15M	150 pcs/carton

Catheter Mount

Disposable Flex-tube Catheter Mount (Double Swivel Elbow & Double Flip-Top Cap)



REF	Description	Circuit Connection	QTY
AB0194	EVA Catheter mount, 15 cm ,22/15 mm, 15M	15M	150 pcs/carton
AB0197	EVA Catheter Mount, 15 cm, 22F	22F	150 pcs/carton

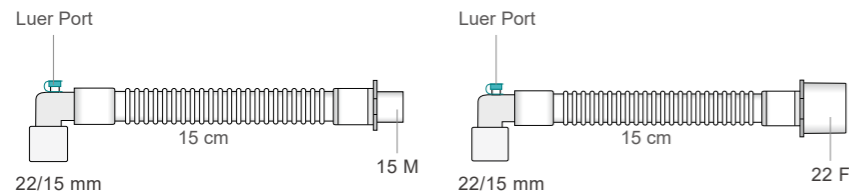
Disposable Flex-tube Catheter Mount (Double Swivel Elbow)



REF	Description	Circuit Connection	QTY
AB0148	Catheter mount, 15 cm, 15M	15M	50 pcs/carton
AB0149	EVA Catheter Mount, 15 cm, 22/15 mm	22/15 mm	50 pcs/carton
AB0192	Catheter mount, 15 cm, 22F	22F	50 pcs/carton

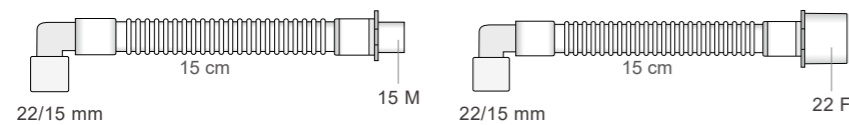
Catheter Mount

Disposable Flex-tube Catheter Mount (Fixed Elbow With Luer Port)



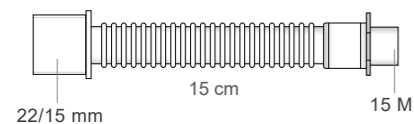
REF	Description	Circuit Connection	QTY
AB0200	EVA Catheter mount, 15 cm w/Luer, 15M	15M	50 pcs/carton
AB0202	EVA Catheter mount, 15 cm w/Luer, 22F	22F	50 pcs/carton

Disposable Flex-tube Catheter Mount (Fixed Elbow)



REF	Description	Circuit Connection	QTY
AB0199	EVA Catheter mount, 15 cm, 15M	15M	150 pcs/carton
AB0130	Catheter mount, 15 cm, L22/15 mm, 22F	22F	150 pcs/carton

Disposable Flex-tube Catheter Mount (Fixed Straight Connection)



REF	Description	Circuit Connection	QTY
AB0198	EVA Catheter mount, 15 cm, 15M	15M	250 pcs/carton



Heat and Moisture exchange filter (HMEF) & Filter

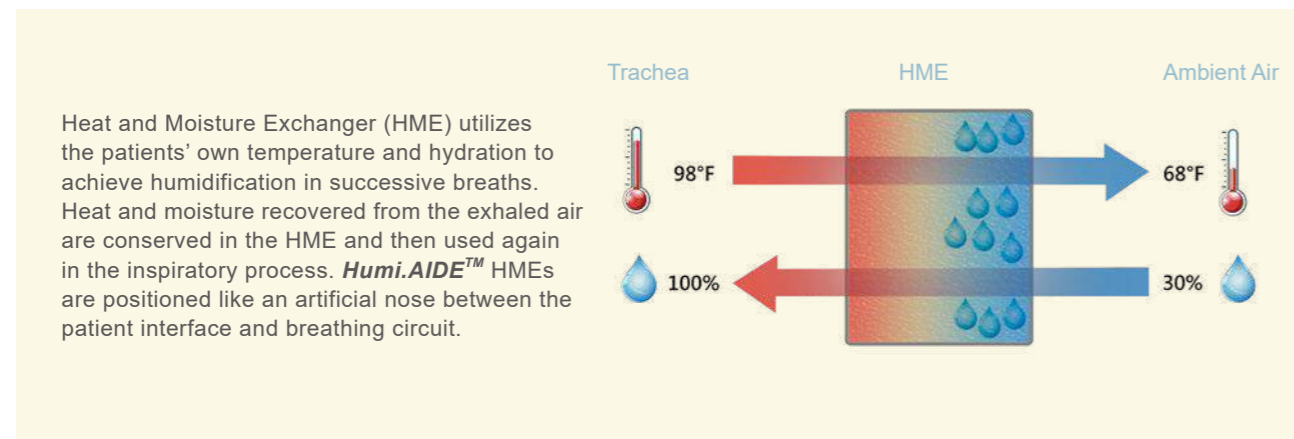


FILTER RANGES

BV Filter & HMEF

	REF	Filter Media	Port	Weight (g)	Dead Space (ml)	"Resistance (cmH ₂ O@LPM)"	Moisture output (mg/L)	BFE MPS: 2.9µm@30LPM	VFE MPS: 2.9µm@30LPM
Heated and moisture exchanger (HME)	AH0022	Paper media	-	2.5	33	0.2@5	31	-	-
	AH0039	Foam media	-	18	54.5	2.0@60	>30	-	-
	AH0040	Foam media	-	-	33	-	31	-	-
HMEF	AH0025	Paper Media	-	25	<50.1	1.53@30	>30	>99.99%	99.97%
	AH0026	Paper Media	Luer	25	<50.1	1.53@30	>30	>99.99%	99.97%
	AH0041	Electrostatic/ Foam	Luer	29	<35.00	2.30@60	31.6	>99.99%	>99.99%
Filter	AF0001	Electrostatic	-	22	<32.93	0.94@40	-	>99.99%	>99.99%
	AF0002	Paper Media	Luer	38	<34.80	4.37@60	-	>99.9999%	>99.9999%
	AF0003	-	-	-	<0.5	78@0.6	-	-	-
	AF0005	Electrostatic	Luer	17	<39.94	1.02@30	-	>99.99%	>99.99%
	AF0006	Electrostatic	Luer	-	-	-	-	-	-
	AF0007	Electrostatic	-	17	<37.68	0.86@30	-	>99.99%	>99.99%
	AF0008	Electrostatic	-	-	<48.5	0.71@30	-	>99.99%	>99.99%
	AF0009	Electrostatic	-	-	<32.8	0.66@30	-	>99.99%	>99.99%
	AF0011	Electrostatic	-	-	<99.37	0.77@40	-	>99.99%	>99.99%
	AF0012	-	-	-	<71	1.8@50	-	>99.99%	>99.99%
	AF0013	-	-	-	-	-	-	-	-
	AF0016	Electrostatic	-	-	<86.1	2.4@60	-	>99.99%	>99.99%
	AF0019	-	-	-	-	-	-	-	-
	AF0020	Electrostatic	Luer	23	<33.43	1.19@40	-	>99.99%	>99.99%

Heat and Moisture Exchanger (HME)



HME

Humi.AIDE™ HME is suitable for surgical ward, anesthesia, respiratory care, and intubated home-care patients.

- Use standard 22/15 mm connection.
- Moisture Output: around 31 mg/L H₂O.
- Dead Space: 33 ml.

AH0040 HME, 22F/15M, 22/15 mm
Package: 50 pcs/carton

HME with Flex Tube

Humi.AIDE™ HME with Tube is suitable for surgical ward, anesthesia, respiratory care, and intubated home-care patients.

- Extensive Flex Tube: Enable the flexibility in patient position management and Reduce the chance of accidental disconnection.
- Use standard 22F, 15F connections.
- Moisture Output: around 30~35 mg/L H₂O.
- Dead Space: 54.5 ml.

AH0039 HME w/Tube, 22F, 15F
Package: 100 pcs/carton

Neonatal (nHME)

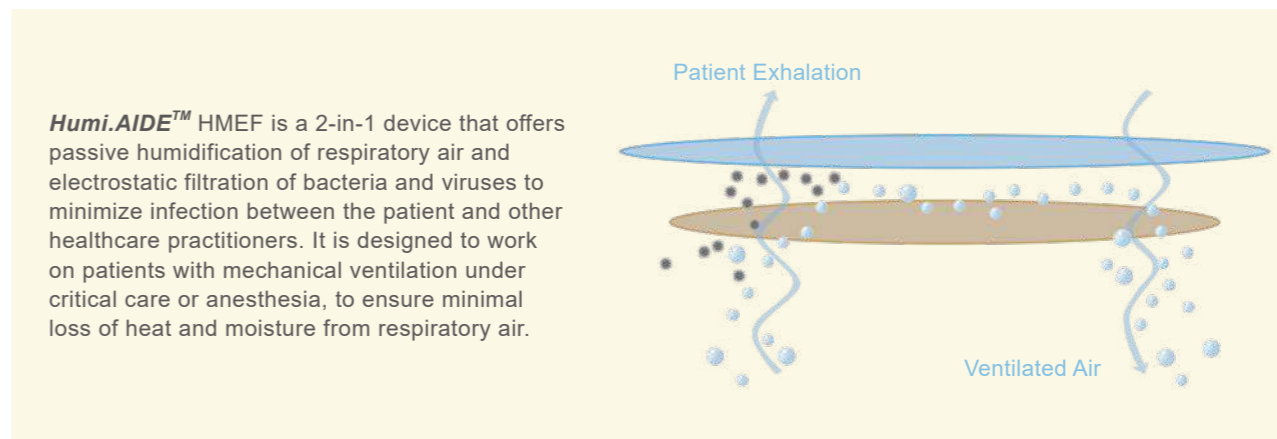
Humi.AIDE™ HME is suitable for surgical ward, anesthesia, respiratory care, and intubated home-care patients.

- Use standard 22/15 mm connection.
- Moisture Output: around 31 mg/L H₂O.
- Dead Space: 33 ml.

AH0022 nHME, 15F, 15M
Package: 100 pcs/carton



Heat and Moisture Exchange Filter (HMEF)



Foam Type HMEF

Humi.AIDE™ HMEF w/Luer is suitable for surgical ward, anesthesia, respiratory care, and intubated home-care patients.

- Use standard 22/15 mm connection.
- Moisture output: around 31 mg/L H₂O.
- Dead Space: 33 ml.
- Filtration: Provide up to 99.99% of efficiency.
- Luer Port: For pressure monitoring and gas sampling.

AH0041 HMEF w/Luer, 22F/15M, 22/15 mm

Package: 50 pcs/carton

Humi.AIDE™ Paper Type HMEF (pHMEF)

Humi.AIDE™ Paper HMEF (pHMEF) is designed to be used in conjunction with ventilation circuits under critical care or anesthesia.

- Paper Media: Ensure efficient retention of heat and moisture and filtration of bacteria and viruses.
- Uses standard 22/15 mm connections.
- Dead Space: 50.1 ml.
- Bacterial / Viral filtration: Provide up to 99.99% /99.97% of efficiency respectively.
- Optional 4.3F Luer Port: For pressure monitoring and gas sampling.

AH0025 HMEF, 22F/15M, 22/15 mm

AH0026 HMEF w/Luer, 22F/15M, 22/15 mm

Package: 50 pcs/carton



Heat and Moisture Exchanger Filter (Filter)



Bacterial Filter (Foam filtering medium)

- Equipped with 0.3 micron bacterial filter membrane for up to 99.99% of efficiency.
- Standard 22 mmID/15 mmOD and 22/15 mm connectors meet ISO Standard.
- Material: polypropylene.

- AF0001** Filter, 22F/15M, 22M/15F
- AF0019** Filter, 22F/15M, 22M/15F
- AF0020** Filter, 22F/15M, 22M/15Fw/Luer

Package: 150 pcs/box



HEPA Radial Pleated Filter (Paper filtering medium)

- Long term anesthesia/ventilation bacterial filtration up to 99.9999% of efficiency.
- Standard 22 mmID/15 mmOD connectors meet ISO Standard.

- AF0002** Filter, HEPA w/luer, 22F/15M, 22/15 mm

Package: 150 pcs/box



Pressure Line Filter

- Hydrophobic filter provides high efficiency to block water that may damage pressure sensor.
- Standard luer connections (male and female).
- Color code for directions.

- AF0003** Hydrophobic Filter, 7.6M w/Luer
- AF0013** Hydrophobic Filter, 4F, 4M

Package: 50 pcs/box

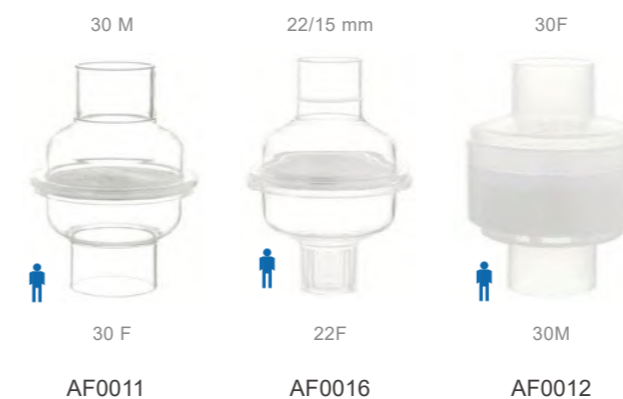
Heat and Moisture Exchanger Filter (Filter)



Viral / Bacterial Filter

High efficiency bacterial filter to minimize cross-contamination between patients, equipment and other healthcare practitioners.

REF	Description	Resistance to flow at 30L/min (cmH ₂ O)	Compressible Volume (ml)	Bacterial Filtration Efficiency	Viral Filtration Efficiency	Luer	QTY
AF0005	Filter 22F/15M w/Luer	0.950	39.93	99.999%	99.99%	●	50 pcs/carton
AF0007	Filter, 22F/15M, 22/15 mm	0.825	37.68	99.999%	99.99%	N/A	50 pcs/carton
AF0008	Filter, 30F, 22/15 mm	0.625	48.58	99.999%	99.99%	N/A	50 pcs/carton
AF0009	Filter, 30F, 30M	0.535	46.29	99.999%	99.99%	N/A	50 pcs/carton



Electrostatic Bacterial Filter

Filter with large volume can produce lower resistance and increase the coordination between the ventilator and the patient. It is suitable to be connected to the outlet of positive pressure ventilation equipment to prevent the transmission of bacteria and cross-contamination among patients.

- Bacterial Filtration Efficiency : 99.99%.
- Viral Filtration Efficiency : 99.99%.

REF	Description	Resistance (cmH ₂ O@LPM)	Compressible Volume (ml)	Bacterial Filtration Efficiency	Viral Filtration Efficiency	Luer	QTY
AF0011	Filter, 30F, 30M	0.77@40	<99.37	99.99%	99.99%	N/A	150 pcs/carton
AF0012	Exhalometer filter, 30F, 30M	1.8@50	<71	99.99%	99.99%	N/A	50 pcs/carton
AF0016	Filter, 22F, 22/15 mm	2.4@60	<86.1	99.99%	99.99%	N/A	150 pcs/carton

Tracheal Heat and Moisture Exchanger (tHME)

The **Humi.AIDE™** Tracheal Heat and Moisture Exchanger (tHME) provides passive humidification for spontaneously breathing tracheostomy patients. The tHME is designed with a standard 15mm fitting for attachment to the patient's tracheotomy tube. The tHME has a compact and lightweight design that reduces pressure at the sensitive trachea site and helps provide optimum patient ventilation.



Light Paper Media

Original paper media provides efficient heat and moisture exchange to patient.



Optional Adjustable Breathing Resistance (ABR) Valve

An optional Adjustable Breathing Resistance (ABR) Valve helps to reduce patient work of breathing and provides users greater comfort and flexibility.



Optional Oxygen Tubing

Designed with oxygen tubing connection for supplemental oxygen.



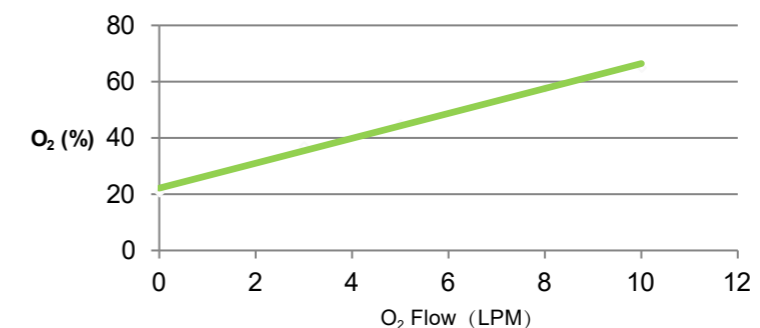
Tracheal Heat and Moisture Exchanger (tHME)

	Standard	Oxygen Tube	ABR Valve
--	----------	-------------	-----------



REF	AH0023	AH0071	AH0024
Description	tHME, 15F	tHME w/Tubing	tHME, 15F w/Knob
Feature	Standard HME, ready for use design	Equipped with total length of 170 cm oxygen tubing	Designed Adjustable Breathing Resistance (ABR) Valve
Dead Space	11.7 ml	12.0 ml	11.7 ml
Tidal Volume	> 50 ml	> 50 ml	> 50 ml
Connectors	15F	15F	15F
Resistance	0.48 cmH ₂ O @ 60 LPM	0.48 cmH ₂ O @ 60 LPM	0.48 cmH ₂ O @ 60 LPM
Moisture Output	24.0 mg H ₂ O @ VT = 500 ml	24.0 mg H ₂ O @ VT = 500 ml	24.0 mg H ₂ O @ VT = 500 ml
QTY	50 pcs/carton	50 pcs/carton	50 pcs/carton

Inspired Oxygen Concentration vs Flow Rate



TEST Conditions: Tidal volume 0.6L, 12 breath/min

Aerosol Delivery for Circuit



Neb.T Valve (Aerosol Tee Valve)

- Enable temporary connection of a nebulizer to the breathing circuit without disconnecting the patient from the ventilation circuit.
- Reduce the risks of infection or pressure drop within the breathing system.
- Low flow resistance.
- Include a dust proof cap.
- Connector dimension (to Nebulizer): 18F.



- AV0076** Valve Tee, 22F, 18F, 22/15 mm
AV0097 Valve Tee, 22F, 18F, 22M
AV0077 Valve Tee, 22M, 18F 22M

Package: 50 pcs/ctn



- AV0075** Valve Tee, 15F, 18F, 15M

Package: 50 pcs/ctn



- AV0074** Valve Tee, 10F, 18F, 10M

Package: 50 pcs/ctn



- AD0004** RF1 Nebulizer w/ATV, 1.6M Tube

- AD0005** RF1 Nebulizer w/Valve T Kit, 22F, 22M

- AD0006** RF1 Nebulizer w/Valve T Kit, 22M, 22M

Package: 25 pcs/carton



- AD0022** RF Nebulizer Kit

Package: 25 pcs/carton



- AD0023** LF1 Nebulizer w/Valve T Kit, 22F

Package: 25 pcs/carton

Dofin Spacer for Breathing Circuit



AD0080 MDI spacer for circuit

Package: 18 pcs/carton



- Allows metered dose inhaler (MDI) medication directly deliver to the ventilator circuit.
- Universal port accommodates both plastic and metal MDI canisters. Available with adult and pediatric circuit sizes.
- MDI canister stem is inserted directly into port of MDI adaptor.
- Cap preserves closed circuit integrity.

- AD0031** MDI Adaptor, 22F, 22M

- AD0032** MDI Adaptor, 15F, 15M

Package: 100 pcs/carton



- AD0033** MDI L-Adaptor, 22M/15F, 15M

Package: 100 pcs/carton

Circuit Hanger & Fixture



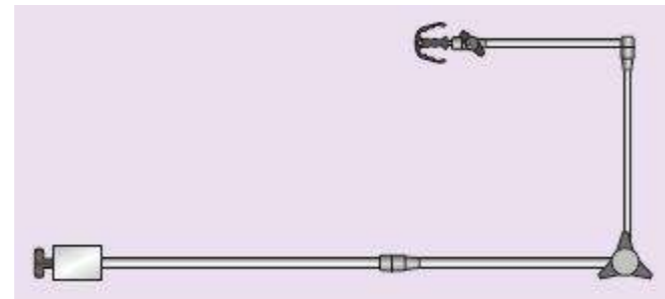
Circuit Hanger

- Orientation of arm can be freely adjusted to the desirable position.
- Standard ISO slip and mount fits into the holder conforming to ISO-19054 standard.
- Multiple joints for adjusting the angle of the arm. Foldable design reduces storage space.
- Three-in-one tube holder accommodates most tubing conforming to international standard.

AB0152 Circuit Hanger, Stainless Steel, Clamp Type

AB0011 Circuit Hanger, Stainless Steel, Pole Type

Package: 6 pcs/box



Pole, Rail and Table Clamps



- Keep essential life-supporting device readily available and organized.
- Ergonomically engineered tri-edge turning knob for less required force to turn.
- Ultra lightweight and sturdy design with one or two holder slip for different device.
- Multi-point contact for better stabilization and grip.
- ISO compliant holder fits any device complying to the same standard.

AB0222 ERGO™ Single Pole Clamp

AB0223 ERGO™ Dual Pole Clamp

AB0224 ERGO™ Table Clamp

AB0225 ERGO™ Rail Clamp

Package: 10 sets/case



ISO Mount Resuscitator Hanger



- Keep manual resuscitator organized in a hospital or emergency setting and make it readily accessible.
- ISO compliant holder slip fits on any pole or rail clamp with ISO standard holder.

AB0004 ISO Mount Resuscitator Hanger

Package: 50 pcs/carton

ISO Wall Mount Cradle



- Keep essential life-supporting device readily available and organized.
- ISO compliant holder fits any device.

AB0226 ISO Wall Mount Cradle

Package: 60 boxes/carton

Tube Clips

Clips to hold breathing circuit and additional tubing in place for better organization and safety.

AB0008 TC-1 Tube Clip 15 mm

AB0009 TC-2 Tube Clip 22 mm

AB0029 TC-4 Tube Clip 22 mm

AB0030 TC-5 Tube Clip 22M

Package: 100 pcs/package, 20 pkgs/box



Water Trap



Max: 65 ml

Venti.Plus™ CS Water Trap

- Designed to collect condensation in ventilation circuits.
- Closed system to minimize contamination and leakages.
- Standard 10M, 15M, 22M connector for all adult ventilator circuit.
- Maximum water level: approximately 65 ml of liquid.
- Easy to drain with an ergonomic suction tube.
- Optional trap holder and mounting system for better organization of equipment.

- AB0212** CS Water Trap 10M, Y Type
- AB0213** CS Water Trap 15M, Y Type
- AB0207** CS Water Trap 10M, L Type
- AB0208** CS Water Trap 22M, L Type
- AB0209** CS Water Trap Kit 10M, Y Type
- AB0210** CS Water Trap Kit 15M, Y Type
- AB0211** CS Water Trap Kit 22M, Y Type
- AB0205** CS Water Trap Kit 10M, L Type
- AB0206** CS Water Trap Kit 22M, L Type

Package: 25 pcs/carton



- AB0216** Suction Tube, 300 cm, with Straight Insertion Head
- AB0217** Suction Tube, 300 cm, with Angled Insertion Head

Package: 25 pcs/carton

Water Trap

Extra-Lite Water Trap



Max: 55 ml

Note: PC water traps are also available.

- AB0227** Extra-Lite Water Trap, 22M

Package: 24 pcs/carton

Durable Water Trap



Max: 65 ml

Note: PC water traps are also available.

- AB0110** Grey PSF, 15M
- AB0111** Grey PSF, 22F
- AB0112** Amber PSF, 15M
- AB0113** Amber PSF, 22M

Package: 50 pcs/carton

Disposable Water Trap



Max: 55ml

- AB0006** 22M, Y Type
- AB0324** 15M, Y Type
- AB0007** 10M, Y Type
- AB0056** 10M, L Type
- AB0100** 22M, L Type

Package: 50 pcs/carton

Neonatal Water Trap



Max: 25 ml

- AB0214** 10M, L Type
- AB0215** 10M, Y Type
- AB0021** 15M, Y Type

Package: 50 pcs/carton

Venti. Plus™ Test Lung



Venti. Plus™ Test Lung is designed for testing mechanical ventilator functional properly, It is compact, easy-to-use, and capable of simulating a wide range of patient conditions.

- Calibrated to simulate the physical conditions of adult and pediatric respiratory system.
- Simulate level of resistance and lung compliance and provide consistent accuracy.
- Can be used prior to operating a mechanical ventilator and circuit on a patient to ensure patient safety.
- Excellent tool for training and demonstration.

AB0001 Test Lung, 1 L

AB0002 Test Lung, 0.5 L

Package: 20 pcs/corton

Babi.Plus™ nTest Lung

Pressure Monitoring Port

Connect to pressure monitoring system for proximal airway pressure

Resistance Indicator

4 color-coded indicators easily identify the individual lung resistance. Available resistance of 90, 145, 300 and 600 cmH₂O/L/s at 1 liter per second



Bracket Test Lung

Bracket creates an approximate 1.0 ml/ cmH₂O compliance and allows test lung to simulate neonate lung with 25 ml tidal volume



Test Lung without Bracket

Without bracket, test lung imitates lung condition with 60 ml tidal volume

Babi.Plus™ nTest Lung is an easy test device which simulates pulmonary physiology. It intended for use of demonstration and testing applications with neonatal ventilation systems. Each nTest Lung set includes a strap, two bracket test lungs and a carrying pouch. Various resistance of single test lungs (with or without bracket) are available for assembling the desired lung simulation.

REF	Description	Content	QTY
AN0004	nTest Lung, R145x2	A strap, two bracket test lungs, a carrying pouch	10 pcs/box
AB0051	nTest Lung Module, R90	One test lung without bracket	24 pcs/carton
AB0052	nTest Lung Module, R600	One bracket test lung	24 pcs/carton
AB0053	nTest Lung Module, R300	One bracket test lung	24 pcs/carton
AB0054	nTest Lung Module, R145	One bracket test lung	24 pcs/carton
AB0055	nTest Lung Module, R90	One bracket test lung	24 pcs/carton

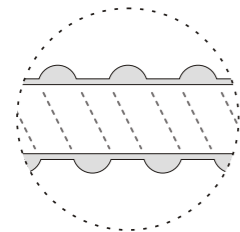


Tubing



Durable Tubing

- Designed for ventilator, anesthesia, CPAP or other NIPPV applications.
- Smoothbore design provides less flow resistance, constant compliance and less turbulence during high-flow ventilation.
- Material: Silicone or Hytrel.
- Different lengths are available upon request.

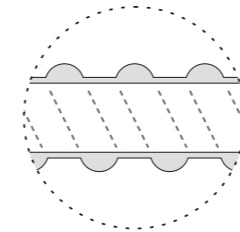


Aplus
Silicone / Smoothbore



REF	Material	Model	Color	Cuff	Length	QTY	
AT0018	Aplus	Silicone	Smoothbore	Grey	22F	30 cm	50 pcs/carton
AT0028	Aplus	Silicone	Smoothbore	Grey	22F	45 cm	20 pcs/carton
AT0019	Aplus	Silicone	Smoothbore	Grey	22F	60 cm	50 pcs/carton
AT0013	Aplus	Silicone	Smoothbore	Grey	22F	90 cm	40 pcs/carton
AT0016	Aplus	Silicone	Smoothbore	Grey	22F	120 cm	30 pcs/carton
AT0014	Aplus	Silicone	Smoothbore	Grey	22F	150 cm	20 pcs/carton
AT0015	Aplus	Silicone	Smoothbore	Grey	22F	180 cm	20 pcs/carton
AT0027	Aplus	Silicone	Smoothbore	Grey	15F	30 cm	50 pcs/carton
AT0075	Aplus	Silicone	Smoothbore	Grey	15F	45 cm	50 pcs/carton
AT0020	Aplus	Silicone	Smoothbore	Grey	15F	60 cm	60 pcs/carton
AT0029	Aplus	Silicone	Smoothbore	Grey	15F	120 cm	50 pcs/carton
AT0030	Aplus	Silicone	Smoothbore	Grey	15F	150 cm	30 pcs/carton

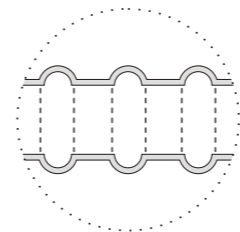
Durable Tubing



Slim-Cuff
Silicone / Smoothbore



REF	Material	Model	Cuff	Length	QTY	
AT0011	Slim Cuff	Silicone	Smoothbore	15F	30 cm	100 pcs/carton
AT0041	Slim Cuff	Silicone	Smoothbore	15F	60 cm × 2	50 pcs/carton
AT0040	Slim Cuff	Silicone	Smoothbore	15F, 10F	30 cm	50 pcs/carton
AT0042	Slim Cuff	Silicone	Smoothbore	22F	30 cm	50 pcs/carton

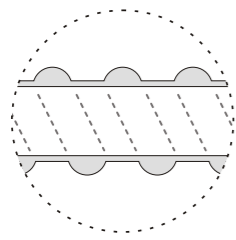


Sil-Flex
Silicone / Smoothbore



REF	Material	Model	Cuff	Length	QTY	
AT0006	Sil-Flex	Silicone	Smoothbore	22F	20 cm	50 pcs/carton
AB0137	Sil-Flex	Silicone	Smoothbore	22F	35 cm	60 pcs/carton
AB0138	Sil-Flex	Silicone	Smoothbore	22F	50 cm	60 pcs/carton
AB0139	Sil-Flex	Silicone	Smoothbore	22F	65 cm	40 pcs/carton
AB0140	Sil-Flex	Silicone	Smoothbore	22F	110 cm	30 pcs/carton
AB0141	Sil-Flex	Silicone	Smoothbore	22F	140 cm	30 pcs/carton

Durable Tubing

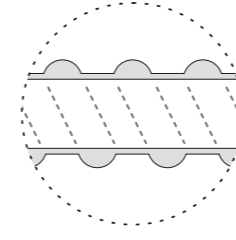


Hytrel Silicone / Smoothbore



REF	Material	Model	Color	Cuff	Length	QTY
AT0004	Hytrel	Smoothbore	Blue	15F	30 cm	50 pcs/carton
AT0005	Hytrel	Smoothbore	Blue	15F	60 cm	50 pcs/carton
AT0026	Hytrel	Smoothbore	Blue	15F	120 cm	30 pcs/carton
AT0002	Hytrel	Smoothbore	Blue	22F	45 cm	50 pcs/carton
AT0003	Hytrel	Smoothbore	Blue	22F	60 cm	50 pcs/carton
AT0021	Hytrel	Smoothbore	Blue	22F	75 cm	50 pcs/carton
AT0062	Hytrel	Smoothbore	Blue	22F	90 cm	50 pcs/carton
AT0025	Hytrel	Smoothbore	Blue	22F	110 cm	50 pcs/carton
AT0022	Hytrel	Smoothbore	Blue	22F	120 cm	50 pcs/carton
AT0063	Hytrel	Smoothbore	Blue	22F	130 cm	50 pcs/carton
AT0023	Hytrel	Smoothbore	Blue	22F	150 cm	30 pcs/carton
AT0024	Hytrel	Smoothbore	Blue	22F	180 cm	25 pcs/carton

Durable Tubing



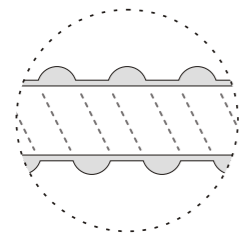
Hytrel Silicone / Smoothbore



REF	Material	Model	Color	Cuff	Length	QTY
AT0067	Hytrel Silicone	Smoothbore	Ivory	22F	30 cm	50 pcs/carton
AT0043	Hytrel Silicone	Smoothbore	Ivory	22F	60 cm	50 pcs/carton
AT0044	Hytrel Silicone	Smoothbore	Ivory	22F	90 cm	50 pcs/carton
AT0045	Hytrel Silicone	Smoothbore	Ivory	22F	120 cm	50 pcs/carton
AT0046	Hytrel Silicone	Smoothbore	Ivory	22F	160 cm	30 pcs/carton
AT0047	Hytrel Silicone	Smoothbore	Ivory	10F	30 cm	60 pcs/carton
AT0007	Hytrel Silicone	Smoothbore	Ivory	10F	60 cm	60 pcs/carton
AT0068	Hytrel Silicone	Smoothbore	Ivory	10F	90 cm	60 pcs/carton
AT0008	Hytrel Silicone	Smoothbore	Ivory	10F	120 cm	50 pcs/carton

Disposable Tubing

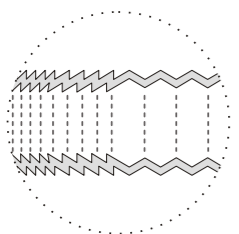
- Designed for ventilator, anesthesia, CPAP or other NIPPV applications.
- Smoothbore design provides less flow resistance, constant compliance and less turbulence during high-flow ventilation.
- Material: Polypropylene or EVA. Disposable Material for single-patient use to minimize the risk of cross-contamination.
- Different lengths are available upon request.



ESB / Smoothbore



REF	Material	Model	Color	Cuff	Length	QTY
AT0065	ESB	Smoothbore	Grey	22F	60 cm	50 pcs/carton
AT0033	ESB	Smoothbore	Grey	22F	180 cm	25 pcs/carton
AT0034	ESB	Smoothbore	Grey	22F	180 cm	25 pcs/carton
AT0035	ESB	Smoothbore	Grey	22F	60 cm	25 pcs/carton
AB0150	ESB	Smoothbore	Grey	22F	180 cm w/Pressure Line	25 pcs/carton

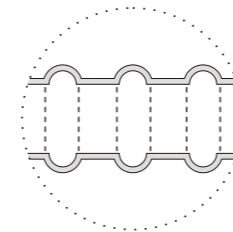


PP / Collapsible



REF	Material	Model	Cuff	Length	QTY
AT0056	PP	Collapsible	22F	120 cm	100pcs/carton
AT0054	PP	Collapsible	22F	150 cm	100pcs/carton
AT0055	PP	Collapsible	22F	180 cm	100pcs/carton

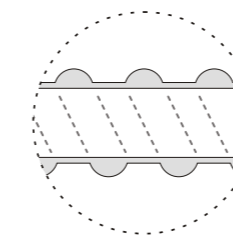
Disposable Tubing



EVA / Corrugate



REF	Material	Model	Cuff	Length	QTY
AT0052	EVA	Corrugate	15F	15 cm	500 pcs/carton
AT0053	EVA	Corrugate	22F	15 cm	600 pcs/carton
AT0050	EVA	Corrugate	22F	100 cm	100 pcs/carton
AT0051	EVA	Corrugate	22F	150 cm	50 pcs/carton
AT0012	EVA	Corrugate	22F	180 cm	50 pcs/carton



EVA / Smoothbore



REF	Material	Model	Cuff	Length	QTY
AT0074	EVA	Smoothbore	22F	45 cm	150 pcs/carton
AT0060	EVA	Smoothbore	22F	60 cm	50 pcs/carton
AT0032	EVA	Smoothbore	22F	100 cm	100 pcs/carton
AT0017	EVA	Smoothbore	22F	120 cm	50 pcs/carton
AT0064	EVA	Smoothbore	22F	150 cm	100 pcs/carton
AT0031	EVA	Smoothbore	22F	180 cm	100 pcs/carton

Users should fully understand the uses of products and the following symbols before use.



Common Materials and Sterilization Method

Material	Autoclavable	Chemical Disinfection	Ethylene Oxide Sterilization
PVC	No	No	No
Acrylic	No	No	No
K-Resin	No	No	No
ABS	No	No	Yes
Polyethylene(PE)	No	Yes	No
Polypropylene(PP)	No	Yes	No
HytreI	Yes (121c)	No	Yes
Polycarbonate(PC)	Yes (121c)	No	Yes
Polysulfone(PSF)	Yes	Yes	Yes
Silicone Rubber	Yes	Yes	Yes
Stainless Steel	Yes	Yes	Yes



Disposable and Single-patient use products are designed to reduce the risk of cross-contamination and therefore have strict prohibitions on re-processing or reusing them on multiple users.

When re-using durable products, make sure to follow validated institution policy and procedure as well as the information available for disinfection processes.

When to clean or disinfect:

1. If product has been used
2. If product is contaminated
3. If product has been used for more than 24 hours on a single-patient

Manufacturer's suggested procedure for disinfection:

The following instruction is a general guide. Please refer to individual organization's operating instructions on cleaning and disinfecting products:

- a. High Temperature Pressure Disinfection: Products should be disinfected at 134°C for 5 minutes (eg. for materials such as polysulfone, silicone, stainless steel). For hyrel and polycarbonate products, the temperature should not exceed 121°C and should not be processed for longer than 15 minutes.
- b. Chemical Disinfection: Products should be soaked under warm water with mild detergents. Wash and rinse thoroughly to remove any residual material and store in a cool dry place to allow it to air dryer.
- c. Ethylene Oxide Disinfection: Follow the instruction for use for Ethylene Oxide disinfection devices.

Cleaning instructions for homecare products:

When cleaning or disinfecting homecare products, users can follow the following general guidance as well as the individual product user manuals:

1. Boiling Water can be used on products that are not degradable. Products that are metal and stainless steel nature can be disinfected by boiling for 10 - 15 minutes with water.
2. Hot-water disinfection (Pasteurization) is a high level, non toxic disinfection process that can be used to reprocess products. In this process, a previously cleaned equipment is immersed in a water bath at 63-65°C for 30 minutes.
3. Alcohol Disinfection: Place products under a combination of mild soap and water and rinse thoroughly, then; proceed to soak under 70% Isopropanol (Alcohol) for 5 minutes which then should be rinsed with sterile water.
4. Detergents: Clean and remove all organic matter (blood and tissue) along with other residue from product or equipment. Wash products using a mild detergent such as (glutaraldehyde) and then rinse with sterile water. Products should then be dried and stored in a cool and dry place.

Important Note:

1. After disinfection and sterilization procedures, products and equipment should be stored in an appropriate package so as to avoid further contamination
2. Disposable products should be disposed after one-time use. This is to minimize cross-contamination and ensure patient safety.

REF	Old REF	Page
AB0001	6011	66
AB0002	6012	66
AB0004	2016	63
AB0006	70011	65
AB0007	70038	65
AB0008	70061	63
AB0009	70062	63
AB0011	6015-N01	62
AB0020	71067	12
AB0021	7WPP62	65
AB0024	6801	20
AB0025	6802	20
AB0026	6805	20
AB0027	6806	20
AB0028	7105	7
AB0029	70064	63
AB0030	70065	63
AB0032	7CCD23	47
AB0036	B101	16
AB0037	B111	16
AB0038	B121	16
AB0040	6733	19
AB0041	6737	19
AB0045	7CAD22	47
AB0047	7CBD22	47
AB0048	7CBD23	47
AB0049	7CCD21	47
AB0050	7CCD22	47
AB0051	BL1-01	66
AB0052	BL1-02	66
AB0053	BL1-03	66
AB0054	BL1-04	66
AB0055	BL1-05	66
AB0056	70019	65
AB0067	67010	11
AB0070	67011	11
AB0071	6704	23
AB0089	6783	18
AB0090	6787	8
AB0091	6789	18
AB0092	6790	9
AB0093	6791	9
AB0098	6820	21
AB0099	6821	21

REF	Old REF	Page
AB0100	70020	65
AB0110	70103	65
AB0111	70104	65
AB0112	70105	65
AB0113	70106	65
AB0124	7104	10
AB0125	71053	13
AB0126	71055-C03	9
AB0127	71056	10
AB0130	73683	50
AB0133	77011	46
AB0134	77013	46
AB0135	77014	46
AB0136	77015	46
AB0137	77022	69
AB0138	77023	69
AB0139	77024	69
AB0140	77027	69
AB0141	77028	69
AB0143	77035	46
AB0144	77036	46
AB0145	77038	46
AB0147	77046	46
AB0148	77121	49
AB0149	77122	49
AB0150	38101	72
AB0152	6015	62
AB0159	VE11	11
AB0165	6504	9
AB0192	77124	49
AB0193	77126	48
AB0194	77127	49
AB0197	77131	49
AB0198	77133	50
AB0199	77139	50
AB0200	77145	50
AB0202	77149	50
AB0205	7WFP51	64
AB0206	7WFP71	64
AB0207	7WGP51	64
AB0208	7WGP71	64
AB0209	7WHP51	64
AB0210	7WHP61	64
AB0211	7WHP71	64

REF	Old REF	Page
AB0212	7WJP51	64
AB0213	7WJP61	64
AB0214	7WOP52	65
AB0215	7WPP52	65
AB0216	7WSV01	64
AB0217	7WSV02	13,64
AB0222	CL01	62
AB0223	CL02	62
AB0224	CL03	62
AB0225	CL04	62
AB0226	CL10	63
AB0227	RA02	65
AB0232	71065	12
AB0252	71055-C01	9
AB0256	73671	48
AB0258	77128	48
AB0282	7105-N01	7
AB0294	6781	18
AB0295	6782	19
AB0316	6702	23
AB0318	77150	48
AB0321	6703	23
AB0324	70012	65
AD0004	NV31	60
AD0005	NV32	60
AD0006	NV33	60
AD0022	NT31	60
AD0023	NV11	60
AD0031	30341	61
AD0032	30342	61
AD0033	30351	61
AD0080	4206	61
AF0001	39013	56
AF0002	39014	56
AF0003	39015	56
AF0005	7FAD11	57
AF0007	7FAD12	57
AF0008	7FSD31	57
AF0009	7FSD32	57
AF0011	39018	57
AF0012	39019	57
AF0013	39020	56
AF0016	70015	57
AF0019	39013-C03	56

REF	Old REF	Page
AF0020	39016	56
AH0001	3423	29
AH0011	H731	35
AH0012	H732	35
AH0013	H732-D1	35
AH0014	H732-S1	35
AH0015	H741	33
AH0016	H742	33
AH0017	H771	32
AH0018	H772	32
AH0019	H781	31
AH0020	H782	31
AH0021	HA02	28
AH0022	HF11	54
AH0023	HF12	59
AH0024	HF14	59
AH0025	HF31	55
AH0026	HF32	55
AH0036	3424	28
AH0037	3426	29
AH0038	3431	29
AH0039	3485	54
AH0040	39009	54
AH0041	39012	55
AH0051	6755	31
AH0054	6757	31
AH0063	H731-D1	35
AH0064	H731-S1	35
AH0070	H732-S2	35
AH0071	HF13	59
AM0001	5437	41
AM0002	5438	41
AM0003	5439	41
AM0014	0011	43
AM0015	0012	43
AM0044	ZB10	39
AM0045	ZB11	39
AM0046	ZB15	39
AM0047	ZB16	39
AM0048	ZB20	39
AM0049	ZB21	39
AM0050	ZB22	39
AM0051	ZB25	39
AM0052	ZB26	39

REF	Old REF	Page
AM0053	ZB27	39
AM0054	ZC10	38
AM0055	ZC11	38
AM0056	ZC12	38
AM0057	ZC20	38
AM0058	ZC21	38
AM0059	ZC22	38
AM0060	ZE10	40
AM0061	ZE12	40
AM0068	ZV10	41
AM0069	ZV11	41
AM0070	ZV12	41
AM0071	ZV16	41
AM0072	ZV17	41
AM0073	ZV20	40
AM0074	ZV21	40
AM0075	ZV22	40
AM0076	ZV25	40
AM0077	ZV26	40
AM0078	ZV27	40
AM0079	ZV51	42
AM0080	ZV53	42
AM0081	ZV54	42
AM0116	5437-N01	41
AM0118	ZV52	42
AM0119	5438-N01	41
AN0004	BL10	66
AQ0002	HD5-12	27
AQ0017	HA51	27
AQ0018	HA52	27
AQ0019	HD51	27
AQ0020	HD52	27
AT0002	38022	70
AT0003	38023	70
AT0004	38031	70
AT0005	38032	70
AT0006	77021	69
AT0007	77642	71
AT0008	77644	71
AT0011	38001	69
AT0012	38002	73
AT0013	38003	68
AT0014	38004	68
AT0015	38005	68

REF	Old REF	Page
AT0016	38006	68
AT0017	38017	73
AT0018	38018	68
AT0019	38019	68
AT0020	38021	68
AT0021	38026	70
AT0022	38027	70
AT0023	38028	70
AT0024	38029	70
AT0025	38030	70
AT0026	38035	70
AT0027	38041	68
AT0028	38042	68
AT0029	38045	68
AT0030	38046	68
AT0031	38051	73
AT0032	38052	73
AT0033	38072	72
AT0034	38077	72
AT0035	38078	72
AT0040	77350	69
AT0041	77352-B01	69
AT0042	77353	69
AT0043	77622	71
AT0044	77623	71
AT0045	77624	71
AT0046	77625	71
AT0047	77641	71
AT0050	77802	73
AT0051	77803	73
AT0052	77811	73
AT0053	77816	73
AT0054	77822	72
AT0055	77823	72
AT0056	77826	72
AT0060	38015	73
AT0062	38025	70
AT0063	38034	70
AT0064	38053	73
AT0065	38071	72
AT0066	77016-C01	46
AT0067	77621	71
AT0068	77643	71
AT0074	38014	73

